

# 2500 SERIES FIRE SMOKE CONTROL DAMPER

## Declaration of Performance (DoP)

Complying with the Construction Product Regulations 2020, UK Statutory Instruments 2020 No. 1359 of Ministry of Housing, Communities and Local Government.



CONSTRUCTION PRODUCT	Fire Smoke Damper
INTENDED USE	Fire and smoke dampers for use where integrity and leakage are required, in both directions and in both horizontal and vertical orientations.
HARMONISED STANDARD	EN 15650
MANUFACTURER	<b>Advanced Air (UK) Ltd</b> Burrell Way, Thetford, Norfolk IP24 3QU <b>Email</b> projects@advancedair.co.uk <b>Web</b> www.advancedair.co.uk <b>Tel</b> 01842 765 657
SYSTEM OF ASSESSMENT AND VERIFICATION OF CONSTANCY OF PERFORMANCE	System 1
NOTIFIED BODY	The notified body 0832 – BRE carried out the initial inspection of the manufacturing plant and of the production control as well as the continuous surveillance and evaluation of the factory production control according to System 1 of the Construction Products Regulation.
CERTIFICATE OF CONSTANCY OF PERFORMANCE	<b>0832-UKCA-CPR-P1002</b> issued on 12 <sup>th</sup> November 2021

ESSENTIAL CHARACTERISTICS	REQUIREMENT CLAUSES IN EN 15650	PERFORMANCE LEVEL ACHIEVED	NOTES
Nominal activation conditions/sensitivity: – Sensing element load bearing capacity – Sensing element response temperature	4.2.1.3 4.2.1.2.2 4.2.1.2.3	Pass Pass	
Response delay time	4.2.2.2	Pass	
Operation reliability – Cycling	4.3.1 (a)	Pass	50 cycles
<b>FIRE RESISTANCE</b>			
– Integrity	4.1.1 (a)	E	120 minutes
– Insulation	4.1.1 (b)	EI	No Performance Declared
– Smoke leakage	4.1.1 (c)	ES	120 minutes
– Mechanical stability (under E)	4.1.1 (a)	Pass	
– Maintenance of cross section (under E)	4.1.1 (a)	Pass	
<b>DURABILITY</b>			
-of response delay	4.2.1.2.2 & 4.2.1.2.3	Pass	
-of operation reliability	4.3.3.2	Pass	10,000 cycles

I hereby declare that the 2500 Fire Smoke Damper has been tested and fully complies with BS EN 15650 Ventilation for Buildings – Fire Dampers. The performance of the product identified above is in conformity with the set of declared performance/s. This declaration of performance is issued, in accordance with Construction Product Regulations 2020, under the sole responsibility of the manufacturer identified above.

On behalf of Advanced Air (UK) Ltd:

**Andrew Sargent**  
 Managing Director  
 18<sup>th</sup> January 2024 – Burrell Way



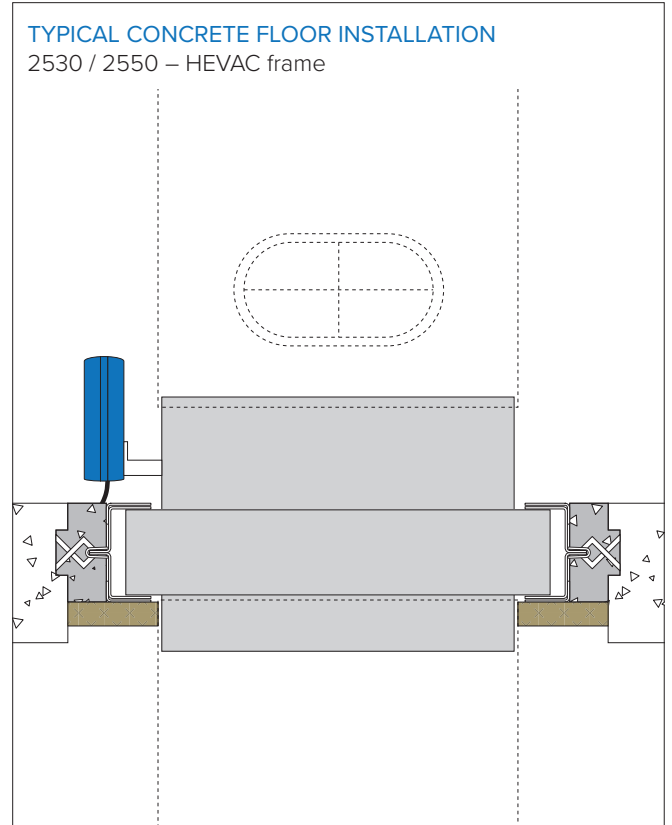
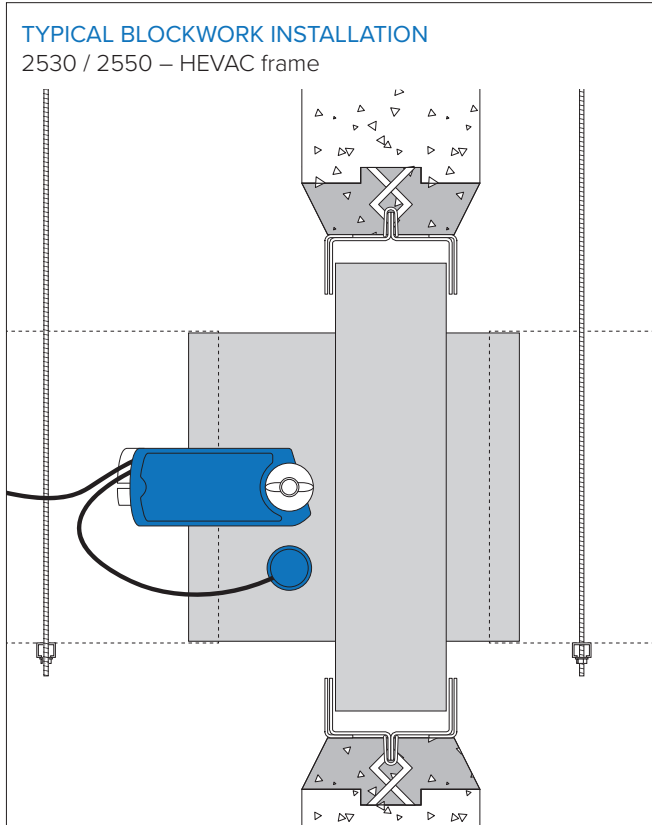
# 2500 SERIES FIRE SMOKE CONTROL DAMPER

## Declaration of Performance (DoP)

Complying with the Construction Product Regulations 2020, UK Statutory Instruments 2020 No. 1359 of Ministry of Housing, Communities and Local Government.



### HEVAC – 2 HOUR WALL AND FLOOR



2530 / 2550 IN 2 HOUR WALL – RIGID CONSTRUCTION WITH HEVAC FRAME					
Size	Installation method	Supporting construction	Report no.	Date	Performance classification
Up to 1,000 x 1,000mm Single section	HEVAC	Rigid wall, minimum 150mm thickness, density 650 kgm <sup>3</sup> or greater	287810B Issue 2	24/07/13	<b>E120 (VE I ↔ O) S</b>

2530 / 2550 IN 2 HOUR FLOOR – RIGID CONSTRUCTION WITH HEVAC FRAME					
Size	Installation method	Supporting construction	Report no.	Date	Performance classification
Up to 1,000 x 1,000mm Single section	HEVAC	Concrete floor, minimum 150mm thickness, density 650 kgm <sup>3</sup> or greater	287810C	24/07/13	<b>E120 (HO I ↔ O) S</b>

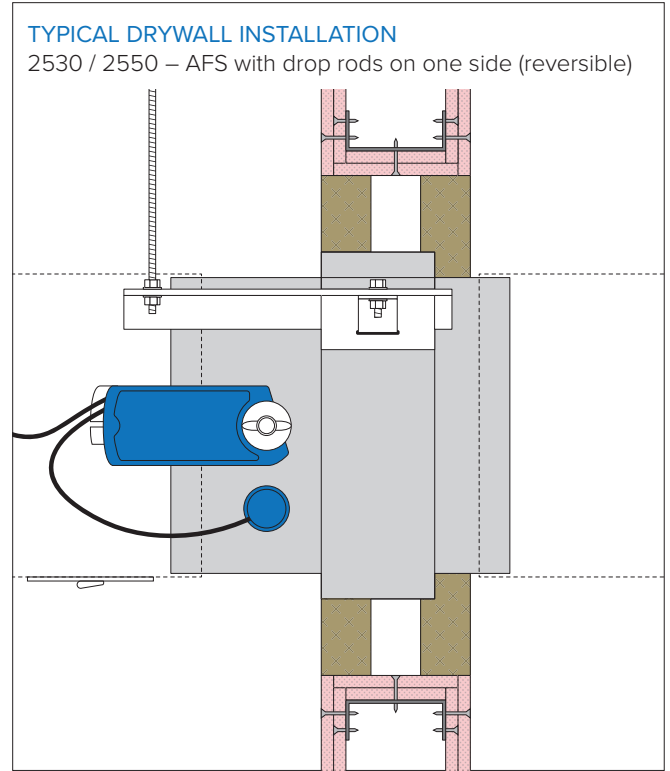
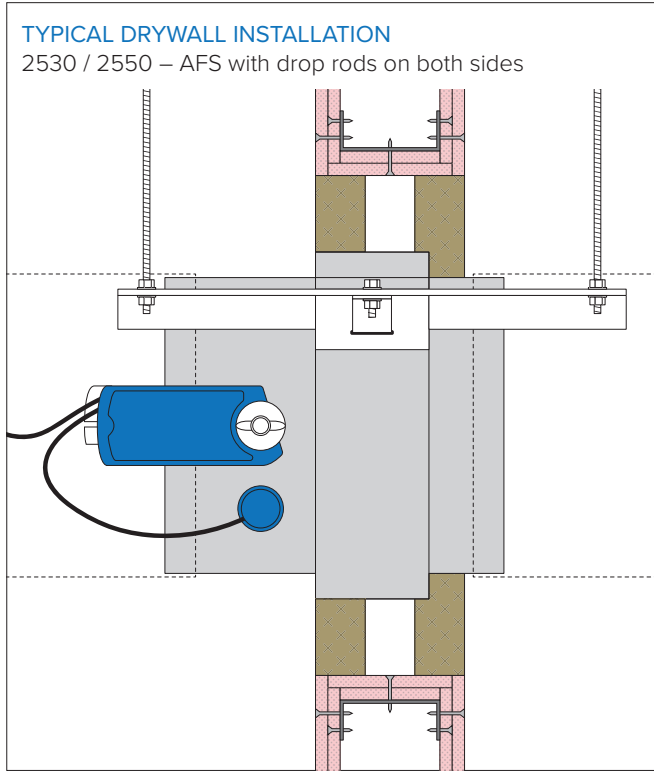
# 2500 SERIES FIRE SMOKE CONTROL DAMPER

## Declaration of Performance (DoP)

Complying with the Construction Product Regulations 2020, UK Statutory Instruments 2020 No. 1359 of Ministry of Housing, Communities and Local Government.



### AFS – 2 HOUR WALL



2530 / 2550 IN 2 HOUR WALL – FLEXIBLE OR RIGID CONSTRUCTION WITH AFS BRACKETS, SUPPORT ON BOTH SIDES					
Size	Installation method	Supporting construction	Report no.	Date	Performance classification
Up to 1,000 x 1,000mm Single section	AFS adjustable frame	Flexible wall, Types A, B & C, minimum 122mm thick Rigid wall, minimum 122mm thickness, density 650kg/m <sup>3</sup> or greater	EFR-21-001847	29/07/21	<b>E120 (VE I ↔ O) S</b>

2530 / 2550 IN 2 HOUR WALL – FLEXIBLE OR RIGID CONSTRUCTION WITH AFS BRACKETS, SUPPORT ON ONE SIDE (REVERSIBLE)					
Size	Installation method	Supporting construction	Report no.	Date	Performance classification
Up to 1,000 x 1,000mm Single section	AFS adjustable frame	Flexible wall, Types A, B & C, minimum 122mm thick Rigid wall, minimum 122mm thickness, density 650kg/m <sup>3</sup> or greater	EFR-21-001847	29/07/21	<b>E120 (VE I ↔ O) S</b>

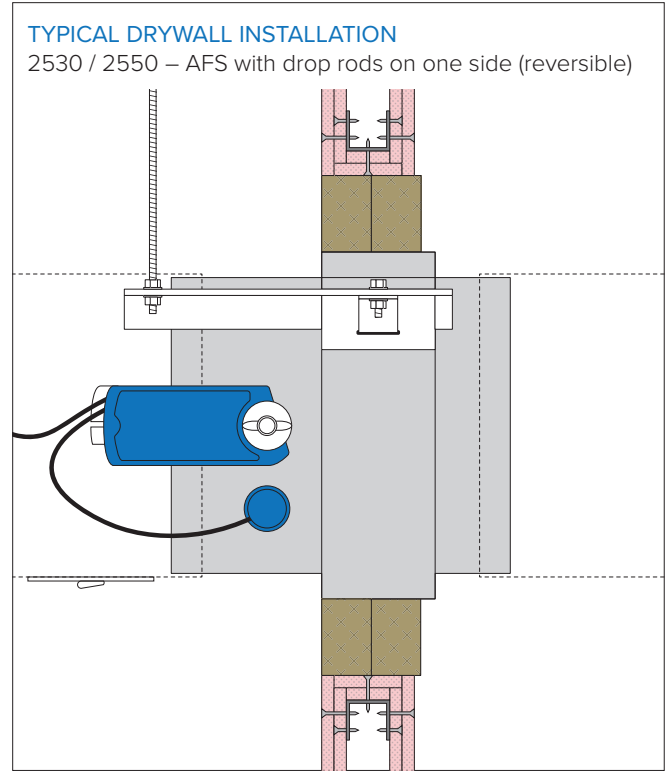
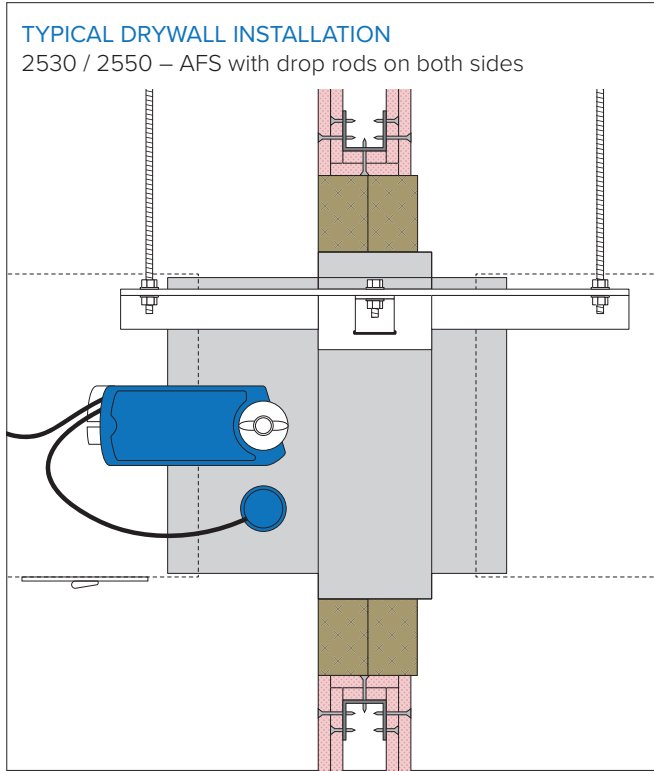
# 2500 SERIES FIRE SMOKE CONTROL DAMPER

## Declaration of Performance (DoP)

Complying with the Construction Product Regulations 2020, UK Statutory Instruments 2020 No. 1359 of Ministry of Housing, Communities and Local Government.



### AFS – 1 HOUR WALL



2530 / 2550 IN 1 HOUR WALL – FLEXIBLE OR RIGID CONSTRUCTION WITH AFS BRACKETS, SUPPORT ON BOTH SIDES					
Size	Installation method	Supporting construction	Report no.	Date	Performance classification
Up to 1,000 x 1,000mm Single section	AFS adjustable frame	Flexible wall Type A, B & C, minimum 94mm thickness; or Rigid wall, minimum 94mm thick with a density of 650 kgm <sup>3</sup> or greater	EFR-21-001847	29/07/21	<b>E90 (VE I ↔ O) S</b>

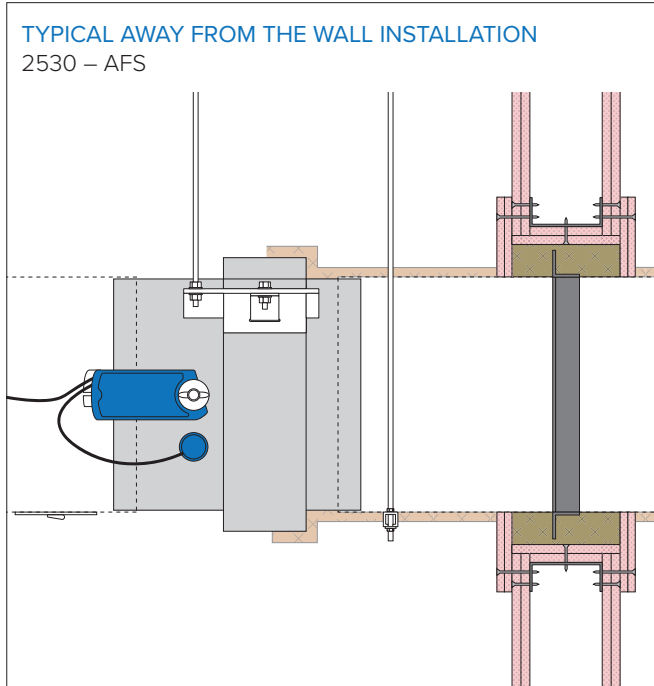
2530 / 2550 IN 1 HOUR WALL – FLEXIBLE OR RIGID CONSTRUCTION WITH AFS BRACKETS, SUPPORT ON ONE SIDE (REVERSIBLE)					
Size	Installation method	Supporting construction	Report no.	Date	Performance classification
Up to 1,000 x 1,000mm Single section	AFS adjustable frame	Flexible wall Type A, B & C, minimum 94mm thickness; or Rigid wall, minimum 94mm thick with a density of 650 kgm <sup>3</sup> or greater	EFR-21-001847	29/07/21	<b>E90 (VE I ↔ O) S</b>

# 2500 SERIES FIRE SMOKE CONTROL DAMPER Declaration of Performance (DoP)

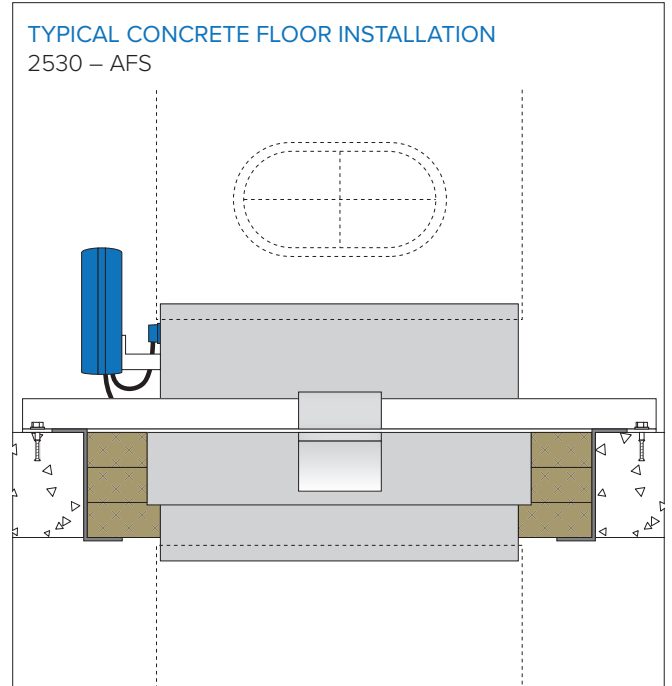
Complying with the Construction Product Regulations 2020, UK Statutory Instruments 2020 No. 1359 of Ministry of Housing, Communities and Local Government.



## AFS – 2 HOUR AWAY FROM WALL



## AFS – 2 HOUR FLOOR



2530 IN 2 HOUR WALL – FLEXIBLE OR RIGID CONSTRUCTION, IN-LINE DUCT / AWAY FROM WALL					
Size	Installation method	Supporting construction	Report no.	Date	Performance classification
Up to 1,000 x 1,000mm Single section	Unistrut and drop rods	Flexible wall, Types B & C, minimum 131mm thick  Rigid wall, minimum 131mm thick, density 650 kgm <sup>3</sup> or greater	2021-Efectis-R000927	01/06/21	<b>E30 (VE I → O) S</b> <b>E120 (VE I → O)</b>

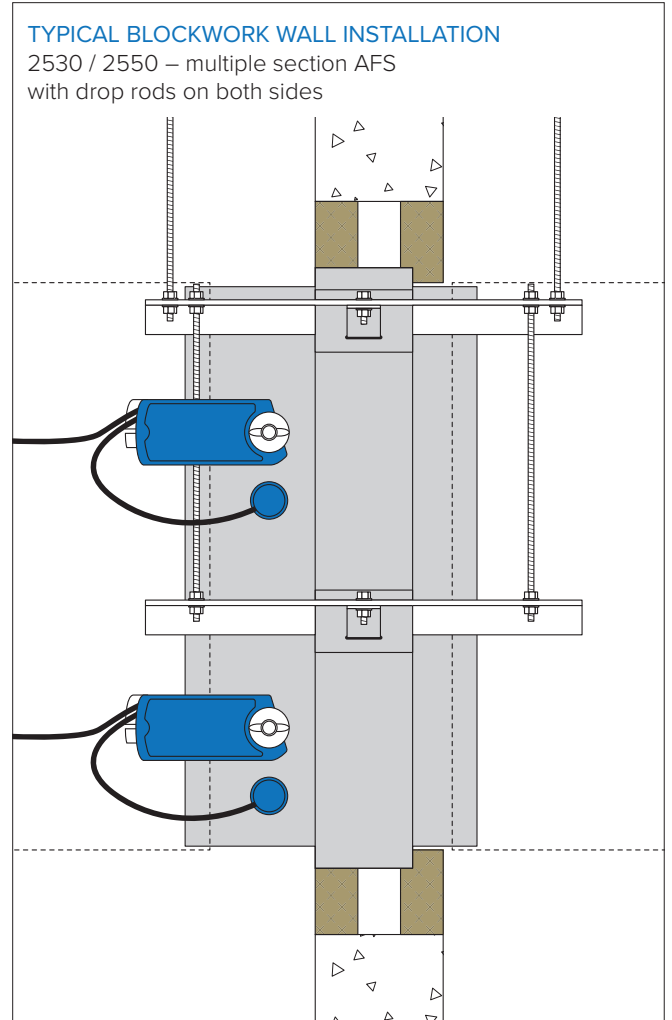
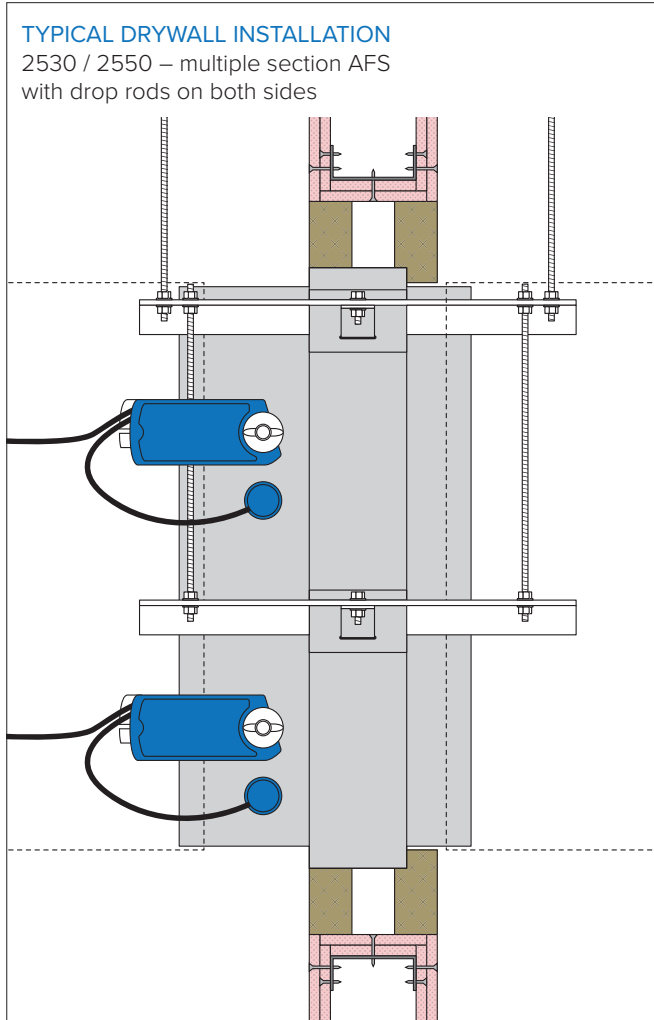
2530 IN 2 HOUR FLOOR – RIGID CONSTRUCTION WITH AFS BRACKETS					
Size	Installation method	Supporting construction	Report no.	Date	Performance classification
Up to 1,000 x 1,000mm Single section	AFS adjustable frame	Concrete floor, minimum 150mm thick, density 650 kgm <sup>3</sup> or greater	EFR-21-001847	29/07/21	<b>E120 (HO I ← O) S</b>

# 2500 SERIES FIRE SMOKE CONTROL DAMPER Declaration of Performance (DoP)

Complying with the Construction Product Regulations 2020, UK Statutory Instruments 2020 No. 1359 of Ministry of Housing, Communities and Local Government.



## MULTIPLE SECTION AFS – 2 HOUR WALL



### 2530 / 2550 MULTISECTION IN 2 HOUR WALL – FLEXIBLE CONSTRUCTION WITH AFS BRACKETS, SUPPORT ON BOTH SIDES

Size	Installation method	Supporting construction	Report no.	Date	Performance classification
Up to 2,000 x 2,000mm Multiple section	AFS adjustable frame	2 hour wall Type C Minimum 150mm thickness	BRE287810A	06/02/20	<b>E120 (VE I ↔ O) S</b>

### 2530 / 2550 MULTISECTION IN 2 HOUR WALL – RIGID CONSTRUCTION WITH AFS BRACKETS, SUPPORT ON BOTH SIDES

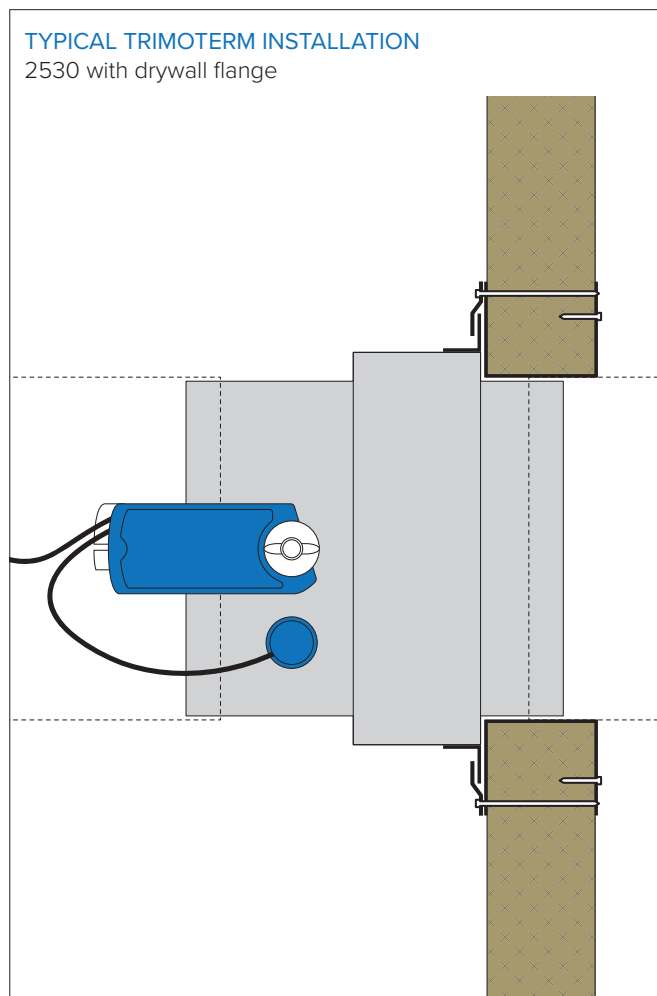
Size	Installation method	Supporting construction	Report no.	Date	Performance classification
Up to 2,000 x 2,000mm Multiple section	AFS adjustable frame	Concrete wall, minimum 150mm thickness, density 650 kgm <sup>3</sup> or greater	BRE287810A	06/02/20	<b>E120 (VE I ↔ O) S</b>

# 2500 SERIES FIRE SMOKE CONTROL DAMPER Declaration of Performance (DoP)

Complying with the Construction Product Regulations 2020, UK Statutory Instruments 2020 No. 1359 of Ministry of Housing, Communities and Local Government.



## TRIMOTERM – 2 HOUR WALL WITH DRYWALL FLANGE



2530 IN 2 HOUR WALL – TRIMOTERM WITH DRYWALL FLANGE					
Size	Installation method	Supporting construction	Report no.	Date	Performance classification
Up to 1,000 x 1,000mm Single section	Flange and capping	Trimoterm FTV, Perform C / Power S Minimum 120mm thickness	2022-Efectis-R000301	01/03/22	<b>E90 (VE I ↔ O) S</b> <b>E120 (VE I ↔ O)</b>