

0160 SERIES FIRE DAMPER

Declaration of Performance (DoP)

Complying with EU Regulation: 305/2011/EEC Construction Products Regulation



CONSTRUCTION PRODUCT	Fire Damper
INTENDED USE	Fire Damper for applications where the integrity of the wall is to be protected by purely mechanical means, to maintain the integrity of a fire compartment for the stated duration.
HARMONISED STANDARD	EN 15650
MANUFACTURER	Advanced Air (UK) Ltd Burrell Way, Thetford, Norfolk IP24 3QU Email projects@advancedair.co.uk Web www.advancedair.co.uk Tel 01842 765 657
SYSTEM OF ASSESSMENT AND VERIFICATION OF CONSTANCY OF PERFORMANCE	System 1
NOTIFIED BODY	The notified body 2831 – BRE carried out the initial inspection of the manufacturing plant and of the production control as well as the continuous surveillance and evaluation of the factory production control according to System 1 of the Construction Products Regulation.
CERTIFICATE OF CONSTANCY OF PERFORMANCE	2831-CPR-P0004 issued on 14 th November 2023

ESSENTIAL CHARACTERISTICS	REQUIREMENT CLAUSES IN EN 15650	PERFORMANCE LEVEL ACHIEVED	NOTES
Nominal activation conditions/sensitivity:	4.2.1.2		
Sensing element load bearing capacity	4.2.1.2.2	Pass	
Sensing element response temperature	4.2.1.2.3	Pass	
Response delay time	4.2.2.2	Pass	
Operation reliability – Cycling	4.3.1 (a)	Pass	50 cycles
FIRE RESISTANCE			
– Integrity	4.1.1 (a)	E	60, 90 and 120 minutes
– Insulation	4.1.1 (b)	EI	No Performance Declared
– Smoke leakage	4.1.1 (c)	ES	No Performance Declared
DURABILITY			
-of response delay	4.2.1.2.2 & 4.2.1.2.3	Pass	
-of operation reliability	4.3.3.2	N/A	No Performance Declared

I hereby declare that the 0160 Fire Damper has been tested and fully complies with EN 15650:2010 Ventilation for buildings – Fire Dampers. The performance of the product identified above is in conformity with the set of declared performance/s. This declaration of performance is issued, in accordance with Regulation (EU) No 305/2011, under the sole responsibility of the manufacturer identified above.

On behalf of Advanced Air (UK) Ltd:

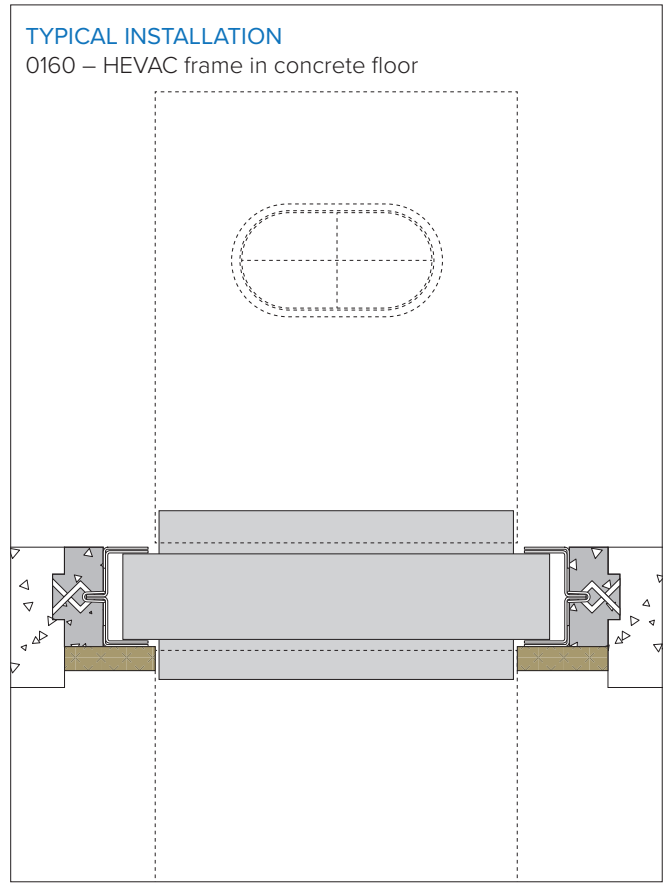
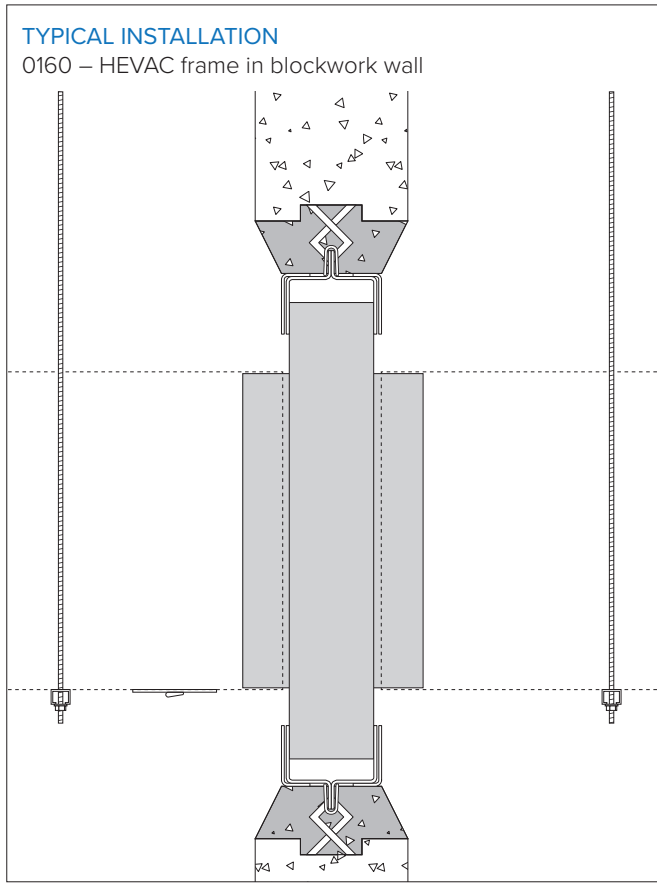
Andrew Sargent
Managing Director
20th November 2023 – Burrell Way



0160 SERIES FIRE DAMPER

Declaration of Performance (DoP)

Complying with EU Regulation: 305/2011/EEC Construction Products Regulation

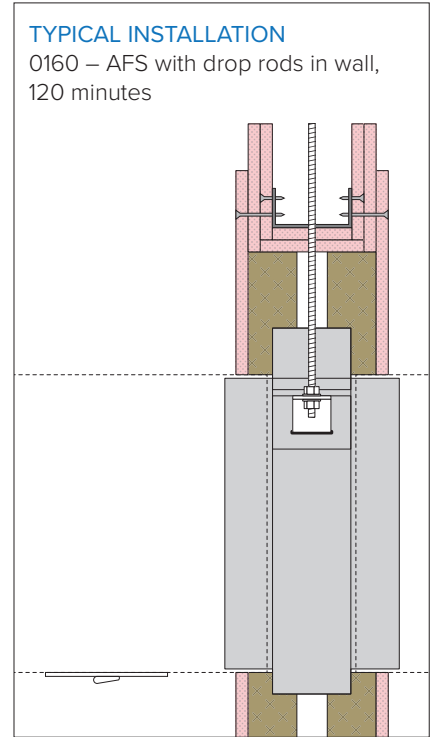
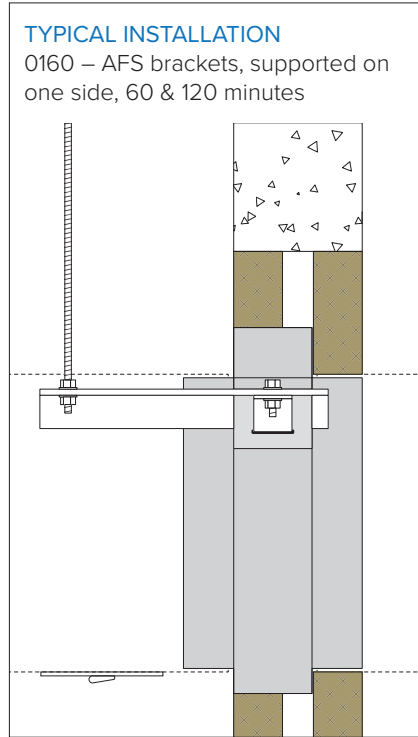
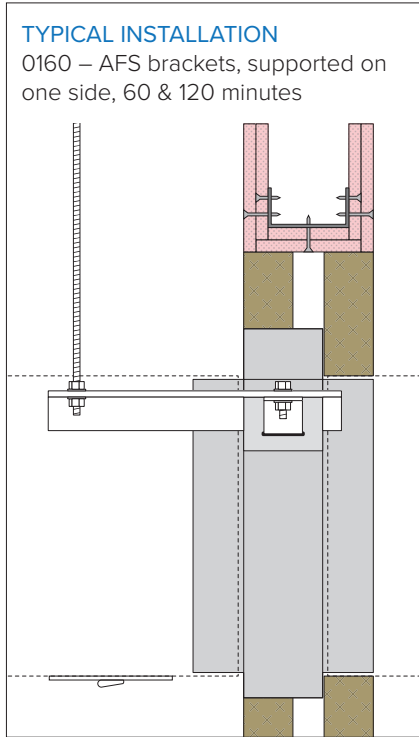


0160 IN 2 HOUR WALL – RIGID CONSTRUCTION WITH HEVAC INSTALLATION FRAME					
Size	Installation method	Supporting construction	Report no.	Date	Performance classification
Up to a maximum nominal 1,000 x 1,000mm Single section	HEVAC	Rigid wall, minimum 150mm thickness, density 650 kgm ³ or greater	EFR-21-001846	29/07/21	E120 (VE I ↔ O)

0160 IN 2 HOUR FLOOR – RIGID CONSTRUCTION WITH HEVAC INSTALLATION FRAME					
Size	Installation method	Supporting construction	Report no.	Date	Performance classification
Up to a maximum nominal 1,000 x 1,000mm Single section	HEVAC	Concrete floor, minimum 150mm thickness, density 650 kgm ³ or greater	EFR-21-001846	29/07/21	E120 (HO I ↔ O)

Declaration of Performance (DoP)

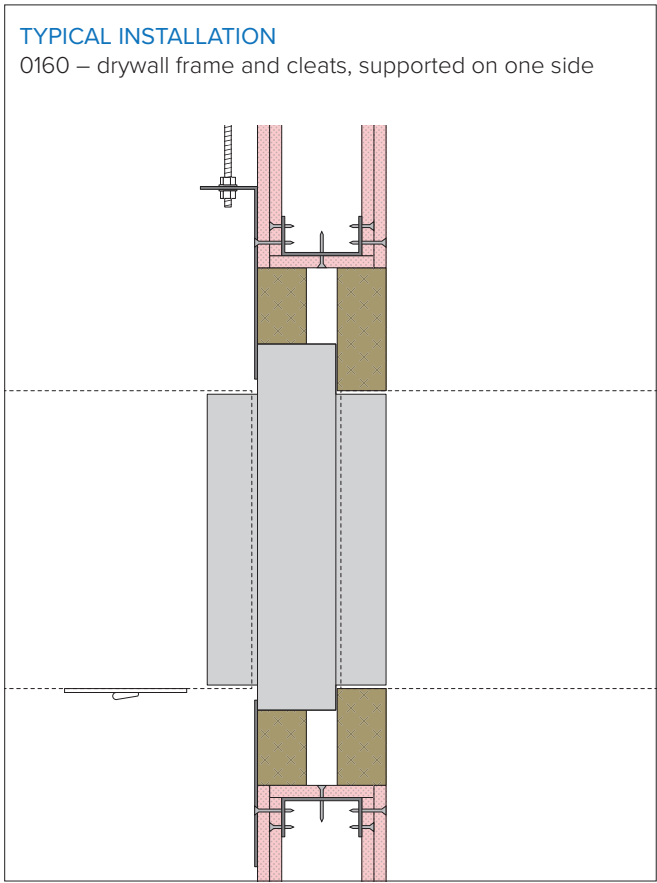
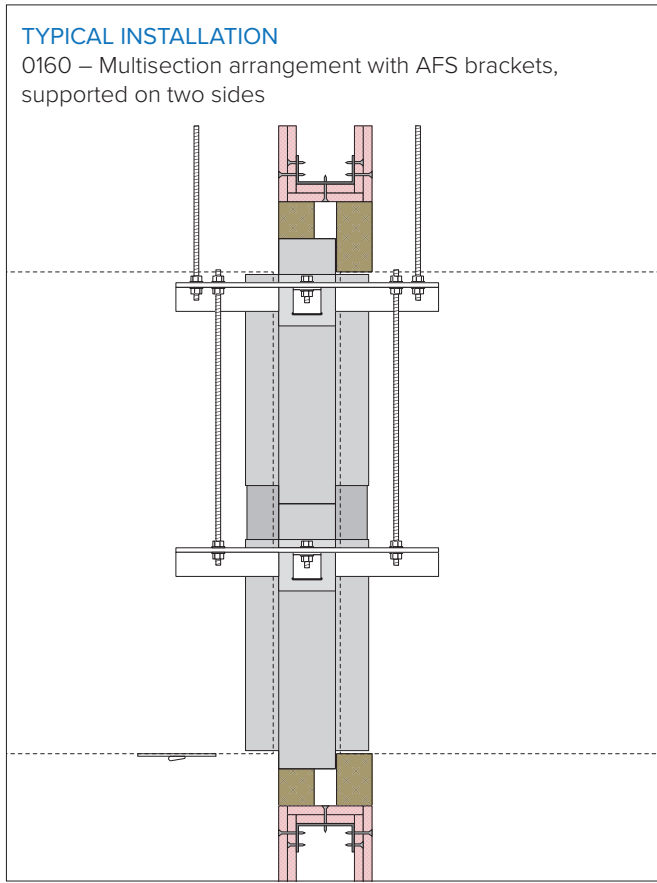
Complying with EU Regulation: 305/2011/EEC Construction Products Regulation



0160 IN 1 HOUR WALL – FLEXIBLE OR RIGID CONSTRUCTION WITH AFS BRACKETS, SUPPORT ON ONE SIDE					
Size	Installation method	Supporting construction	Report no.	Date	Performance classification
Up to a maximum nominal 1,000 x 1,000mm Single section	AFS	Flexible wall Type A, minimum 94mm thickness; or Rigid wall, 94mm thick with a density of 650 kgm ³ or greater	EFR-21-001846	29/07/21	E60 (VE I ↔ O)

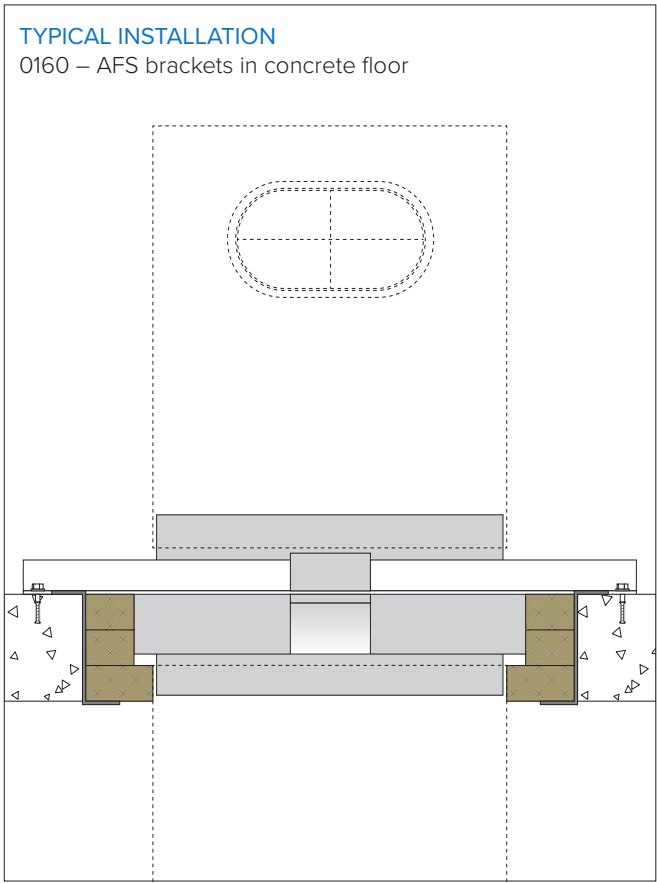
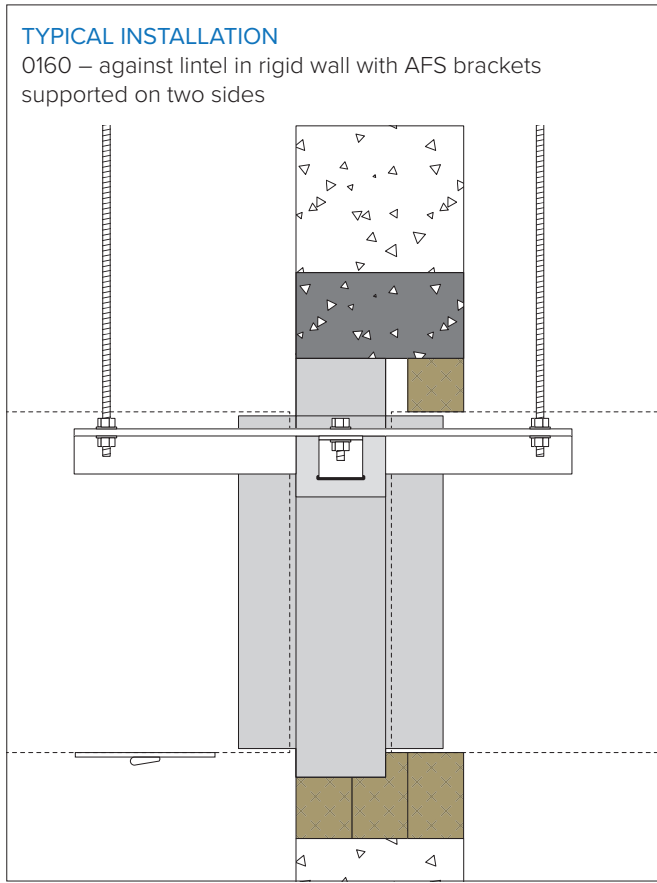
0160 IN 2 HOUR WALL – FLEXIBLE OR RIGID CONSTRUCTION WITH AFS BRACKETS, SUPPORT ON ONE SIDE					
Size	Installation method	Supporting construction	Report no.	Date	Performance classification
Up to a maximum nominal 1,000 x 1,000mm Single section	AFS	Flexible wall Type B, minimum 131mm thickness; or Rigid wall, minimum 131mm thick with a density of 650 kgm ³ or greater	EFR-21-001846	29/07/21	E120 (VE I ↔ O)

0160 IN 2 HOUR WALL – FLEXIBLE OR RIGID CONSTRUCTION WITH AFS BRACKETS, SUPPORT IN WALL					
Size	Installation method	Supporting construction	Report no.	Date	Performance classification
Up to a maximum nominal 1,000 x 1,000mm Single section	AFS	Flexible wall Type B, minimum 131mm thickness; or Rigid wall, minimum 131mm thick with a density of 650 kgm ³ or greater	EFR-21-001846	29/07/21	E120 (VE I ↔ O)



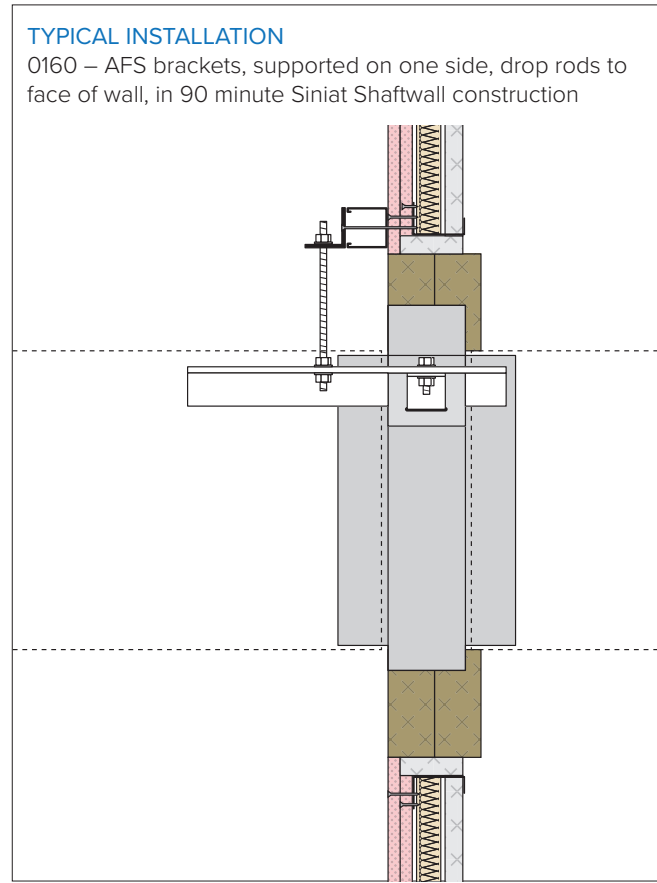
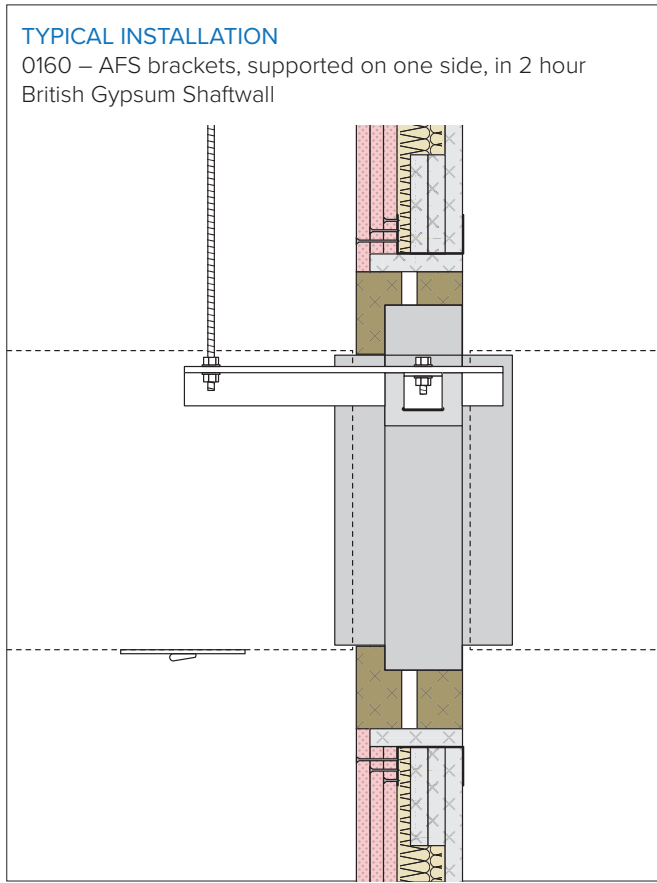
0160 MULTISECTION IN 2 HOUR WALL – FLEXIBLE OR RIGID CONSTRUCTION WITH AFS BRACKETS, SUPPORT ON TWO SIDES					
Size	Installation method	Supporting construction	Report no.	Date	Performance classification
Up to a maximum nominal 2,000 x 2,000mm	AFS	Flexible wall Type C, minimum 136mm thickness; or Rigid wall, minimum 136mm thick with a density of 650 kgm ³ or greater	EFR-21-001846	29-07-21	E120 (VE I ↔ O)

0160 IN 2 HOUR WALL – FLEXIBLE CONSTRUCTION WITH DRYWALL PLATE AND CLEATS					
Size	Installation method	Supporting construction	Report no.	Date	Performance classification
Up to a maximum nominal 1,000 x 1,000mm Single section	Drywall plate and cleats	Flexible wall Type B, minimum 131mm thickness; or Rigid wall, minimum 131mm thick with a density of 650 kgm ³ or greater	EFR-21-001846	29-07-21	E120 (VE I ↔ O)



0160 IN 2 HOUR WALL – AGAINST LINTEL IN RIGID CONSTRUCTION WITH AFS BRACKETS, SUPPORT ON TWO SIDES					
Size	Installation method	Supporting construction	Report no.	Date	Performance classification
Up to a maximum nominal 1,000 x 1,000mm Single section	AFS Up against a lintel	Rigid wall, minimum 150mm thickness, density 650 kgm ³ or greater	EFR-21-001846	29-07-21	E120 (VE I → O)

0160 IN 2 HOUR FLOOR – RIGID CONSTRUCTION WITH AFS BRACKETS					
Size	Installation method	Supporting construction	Report no.	Date	Performance classification
Up to a maximum nominal 1,000 x 1,000mm Single section	AFS	Concrete floor, minimum 150mm thickness, density 650 kgm ³ or greater	EFR-21-001846	29-07-21	E120 (HO I ↔ O)



0160 IN 107MM THICK BRITISH GYPSUM SHAFTWALL WITH AFS BRACKETS, SUPPORT ONE SIDE

Size	Installation method	Supporting construction	Report no.	Date	Performance classification
Up to a maximum nominal 1,000 x 1,000mm Single section	AFS	107mm British Gypsum Shaftwall ref. A306030, A306035 flexible supporting construction	EFR-21-001846	09-11-20	E120 (VE I → O)

0160 IN 117MM THICK BRITISH GYPSUM SHAFTWALL WITH AFS BRACKETS, SUPPORT ONE SIDE

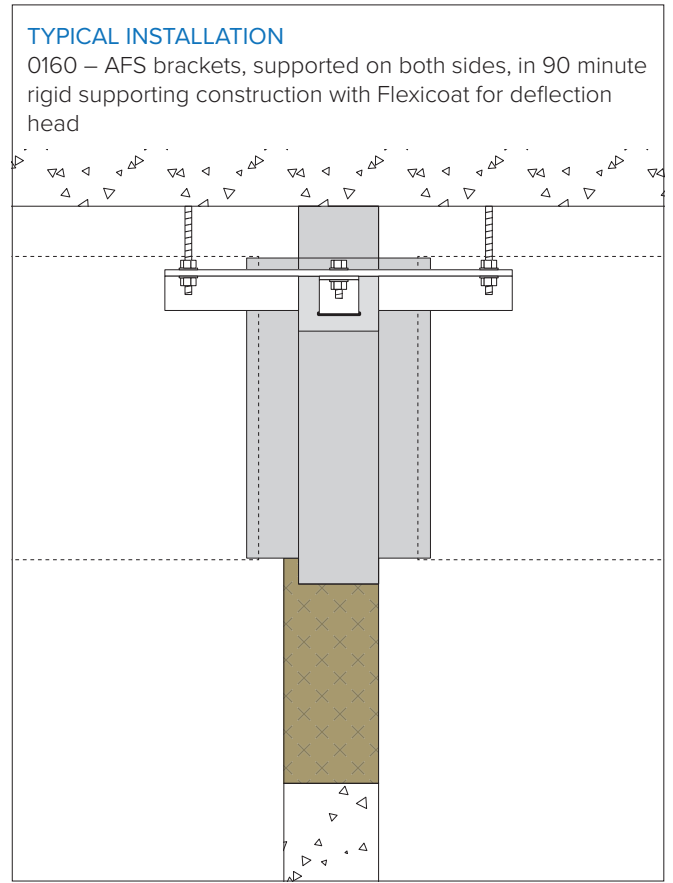
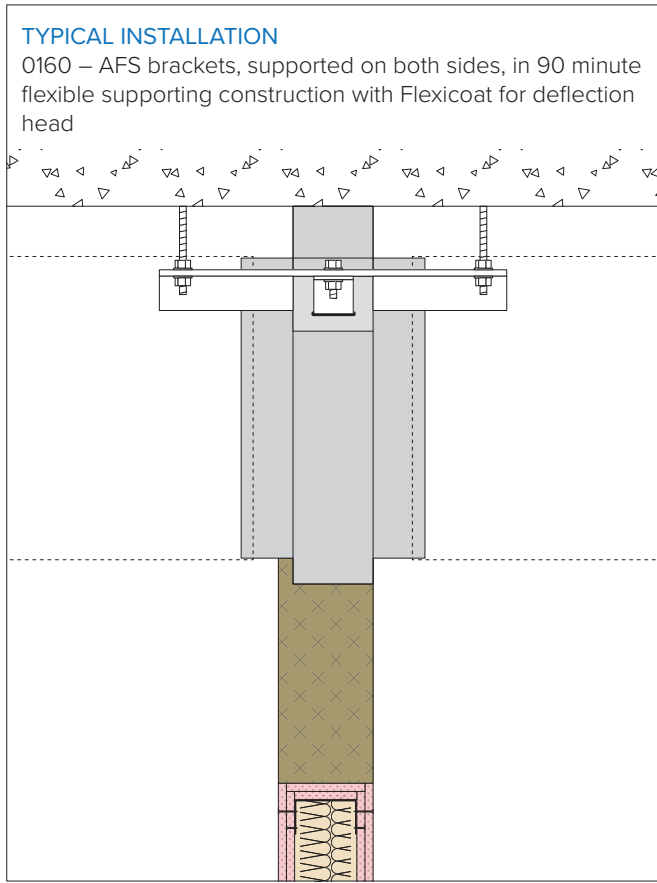
Size	Installation method	Supporting construction	Report no.	Date	Performance classification
Up to a maximum nominal 1,000 x 1,000mm Single section	AFS	117mm British Gypsum Shaftwall ref. A306043, A306044 flexible supporting construction	EFR-21-001846	14-10-20	E120 (VE I ↔ O)

0160 IN 85MM THICK SINIAT SHAFTWALL WITH AFS BRACKETS, SUPPORT ONE SIDE

Size	Installation method	Supporting construction	Report no.	Date	Performance classification
Up to a maximum nominal 1,000 x 1,000mm Single section	AFS	85mm Siniat Shaftwall ref. RNS-104 flexible supporting construction	EFR-21-001846	17-06-22	E90 (VE I ↔ O) E120 (VE I ← O)

Declaration of Performance (DoP)

Complying with EU Regulation: 305/2011/EEC Construction Products Regulation



0160 IN 90 MINUTE WALL – FLEXIBLE OR RIGID SUPPORTING CONSTRUCTION WITH FLEXICOAT FOR SLAB DEFLECTION, WITH AFS BRACKETS, SUPPORT BOTH SIDES					
Size	Installation method	Supporting construction	Report no.	Date	Performance classification
Up to a maximum nominal 1,000 x 1,000mm Single section	AFS	Flexible wall Type A minimum 94mm thickness; or Rigid wall, 94mm thick with a density of 650kg/m³ or greater	EFR-21-001846	18-08-22	E90 (VE I ↔ O) E120 (VE I ← O)

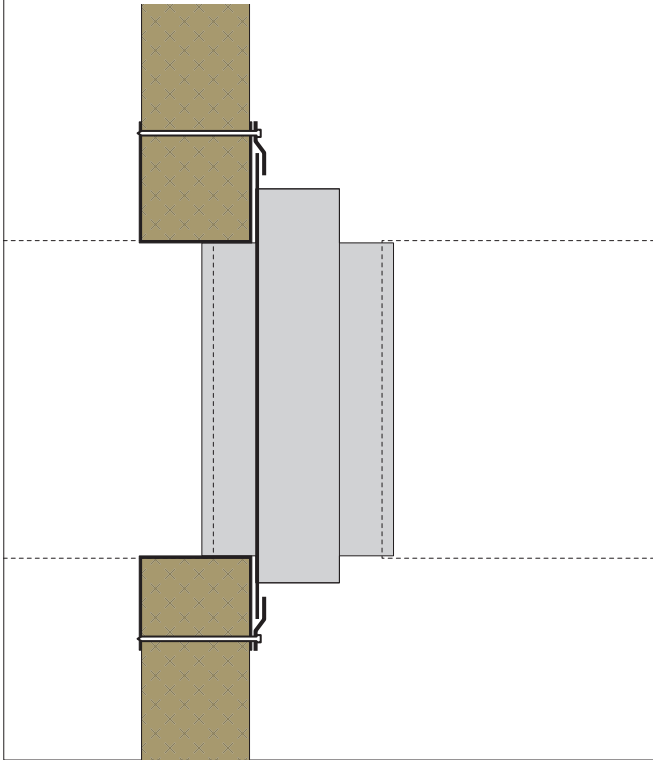
Declaration of Performance (DoP)

Complying with EU Regulation: 305/2011/EEC Construction Products Regulation



TYPICAL INSTALLATION

0160 – Drywall plate and outer retaining flange, on face of wall, in 120 minute Trimoterm FTV Perform C, Power S



0160 IN 120 MINUTE TRIMOTERM WALL – ON FACE OF WALL, WITH DRYWALL PLATE AND OUTER RETAINING FLANGE					
Size	Installation method	Supporting construction	Report no.	Date	Performance classification
Up to a maximum nominal 1,000 x 1,000mm Single section	Drywall plate and outer retaining flanges	Trimoterm FTV Perform C, Power S minimum 120mm thick	EFR-21-001846	22-10-20	E120 (VE I ↔ O)