

2500 SERIES FIRE SMOKE CONTROL DAMPER

Declaration of Performance (DoP)

Complying with EU Regulation: 305/2011/EEC Construction Products Regulation



INTENDED USE	Fire safety
HARMONISED STANDARD	BS EN 15650
MANUFACTURER	Advanced Air (UK) Ltd Burrell Way, Thetford, Norfolk IP24 3QU Email projects@advancedair.co.uk Web www.advancedair.co.uk Tel 01842 765 657
SYSTEM OF ASSESSMENT AND VERIFICATION OF CONSTANCY OF PERFORMANCE	System 1
NOTIFIED BODY	The notified body 0832 – BRE carried out the initial inspection of the manufacturing plant and of the production control as well as the continuous surveillance and evaluation of the factory production control according to System 1 of the Construction Products Regulation.
CERTIFICATE OF CONSTANCY OF PERFORMANCE	2831-CPR-P0005 issued on 21 st December 2021

CONSTRUCTION PRODUCT	FIRE SMOKE DAMPER		
Intended Use	To be used in conjunction with partitions to maintain fire compartments in heating, ventilation and air conditioning installations.		
ESSENTIAL CHARACTERISTICS	REQUIREMENT CLAUSES IN BS EN 12101-8	PERFORMANCE LEVEL ACHIEVED	NOTES
Nominal activation conditions/sensitivity:	4.2.1.3		
– Sensing element load bearing capacity	4.2.1.2.2	Pass	
– Sensing element response temperature	4.2.1.2.3	Pass	
Response delay time	4.2.2.2	Pass	
Operation reliability – Cycling	4.3.1 (a)	Pass	50 cycles
FIRE RESISTANCE			
– Integrity	4.1.1 (a)	E	120 minutes
– Insulation	4.1.1 (b)	EI	No Performance Declared
– Smoke leakage	4.1.1 (c)	ES	120 minutes
– Mechanical stability (under E)	4.1.1 (a)	Pass	
– Maintenance of cross section (under E)	4.1.1 (a)	Pass	
DURABILITY			
-of response delay	4.2.1.2.2 & 4.2.1.2.3	Pass	
-of operation reliability	4.3.3.2	Pass	10,000 cycles

Signed on behalf of Advanced Air (UK) Ltd:

Andrew Sargent
Managing Director
22nd January 2022

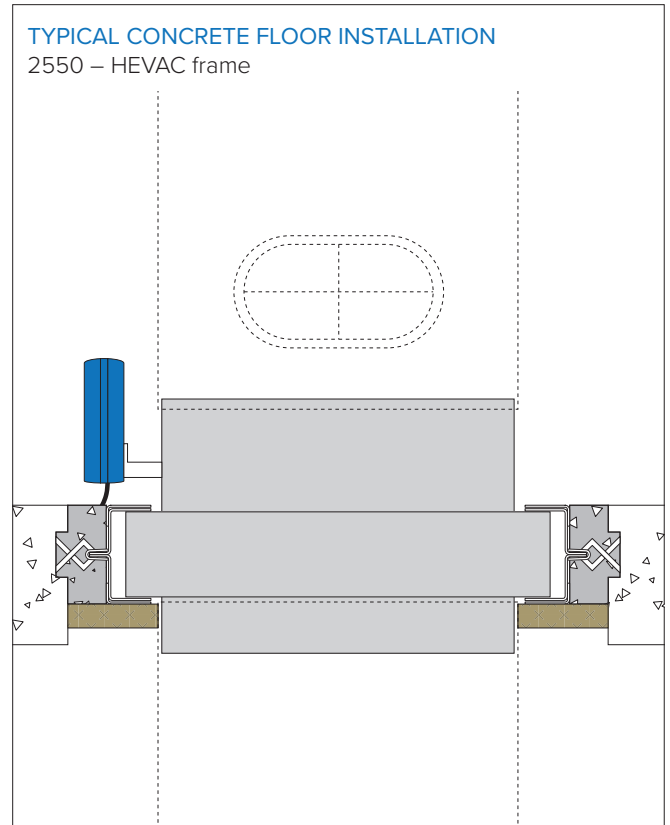
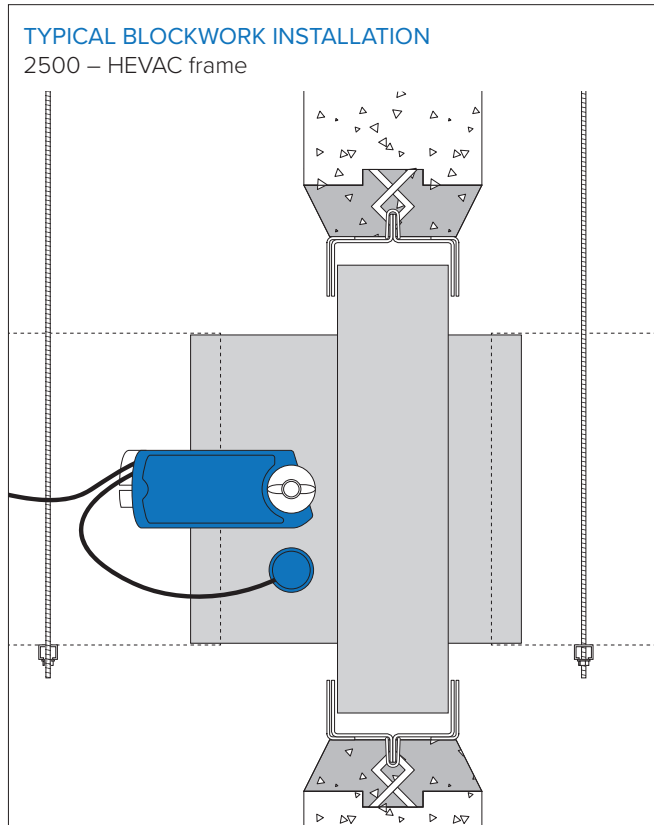


2500 SERIES FIRE SMOKE CONTROL DAMPER Declaration of Performance (DoP)

Complying with EU Regulation: 305/2011/EEC Construction Products Regulation



HEVAC – BLOCKWORK / CONCRETE WALL



2500 SERIES IN 2 HOUR WALL – RIGID CONSTRUCTION WITH HEVAC FRAME					
Size	Installation method	Supporting construction	Report no.	Date	Performance classification
Up to 1,000 x 1,000mm Single section	HEVAC	Rigid wall, minimum 150mm thickness, density 650 kgm ³ or greater	287810B Issue 2	24/07/13	E120 (VE I ↔ O) S

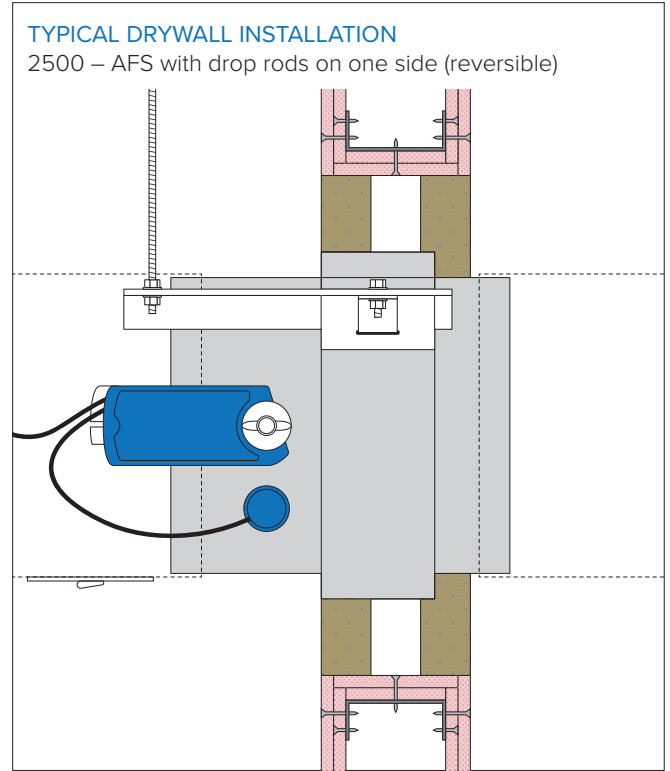
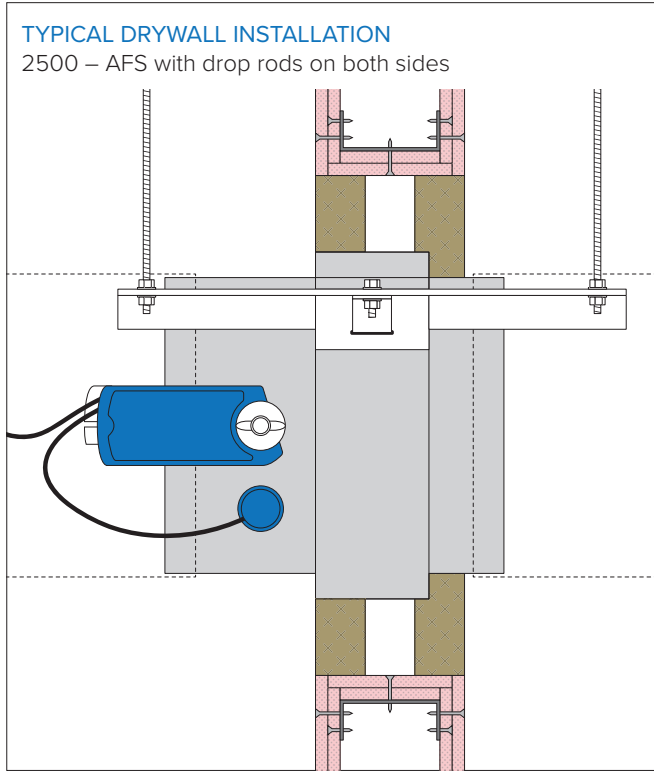
2550 IN 2 HOUR WALL – CONCRETE FLOOR WITH HEVAC FRAME					
Size	Installation method	Supporting construction	Report no.	Date	Performance classification
Up to 1,000 x 1,000mm Single section	HEVAC	Concrete floor, minimum 150mm thickness, density 650 kgm ³ or greater	287810C	24/07/13	E120 (HO I ↔ O) S

2500 SERIES FIRE SMOKE CONTROL DAMPER Declaration of Performance (DoP)

Complying with EU Regulation: 305/2011/EEC Construction Products Regulation



AFS – 2 HOUR DRYWALL



2500 SERIES IN 2 HOUR WALL – FLEXIBLE CONSTRUCTION WITH AFS BRACKETS, SUPPORT ON BOTH SIDES

Size	Installation method	Supporting construction	Report no.	Date	Performance classification
Up to 1,000 x 1,000mm Single section	AFS adjustable frame	Flexible wall, Types A, B & C, minimum 122mm thick	EFR-21-001847	29/07/21	E120 (VE I ↔ O) S

2500 SERIES IN 2 HOUR WALL – FLEXIBLE CONSTRUCTION WITH AFS BRACKETS, SUPPORT ON ONE SIDE (REVERSIBLE)

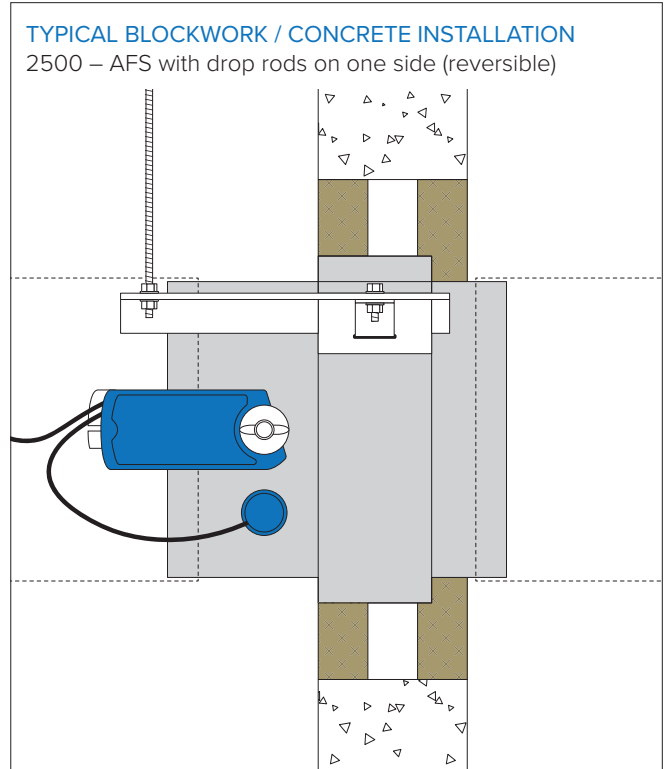
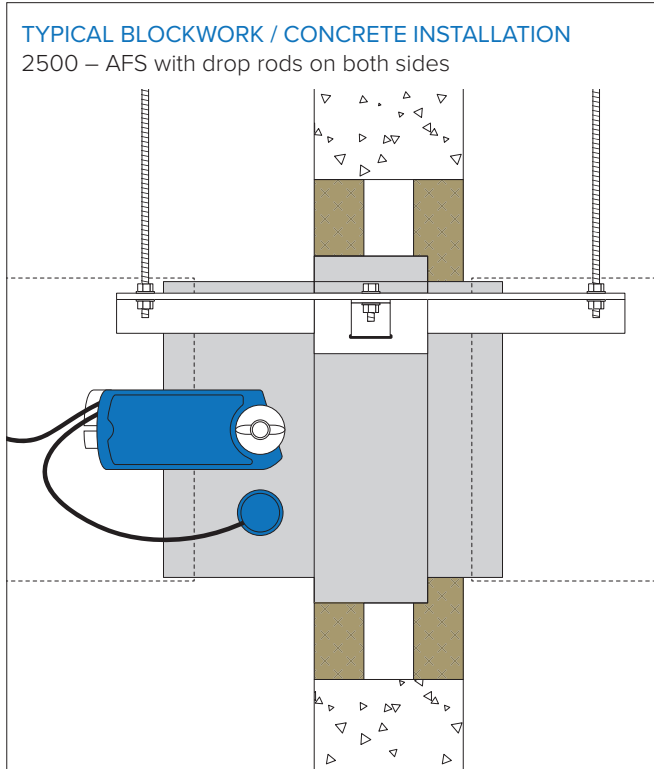
Size	Installation method	Supporting construction	Report no.	Date	Performance classification
Up to 1,000 x 1,000mm Single section	AFS adjustable frame	Flexible wall, Types A, B & C, minimum 122mm thick	EFR-21-001847	29/07/21	E120 (VE I ↔ O) S

2500 SERIES FIRE SMOKE CONTROL DAMPER Declaration of Performance (DoP)

Complying with EU Regulation: 305/2011/EEC Construction Products Regulation



AFS – 2 HOUR BLOCKWORK / CONCRETE WALL



2500 SERIES IN 2 HOUR WALL – RIGID CONSTRUCTION WITH AFS BRACKETS, SUPPORT ON BOTH SIDES					
Size	Installation method	Supporting construction	Report no.	Date	Performance classification
Up to 1,000 x 1,000mm Single section	AFS adjustable frame	Rigid wall, minimum 122mm thickness, density 650 kgm ³ or greater	EFR-21-001847	29/07/21	E120 (VE I ↔ O) S

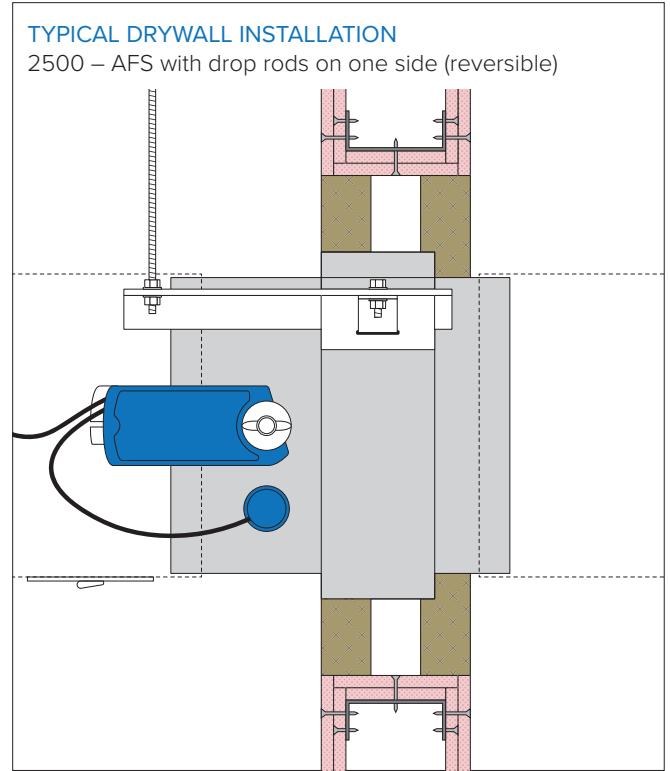
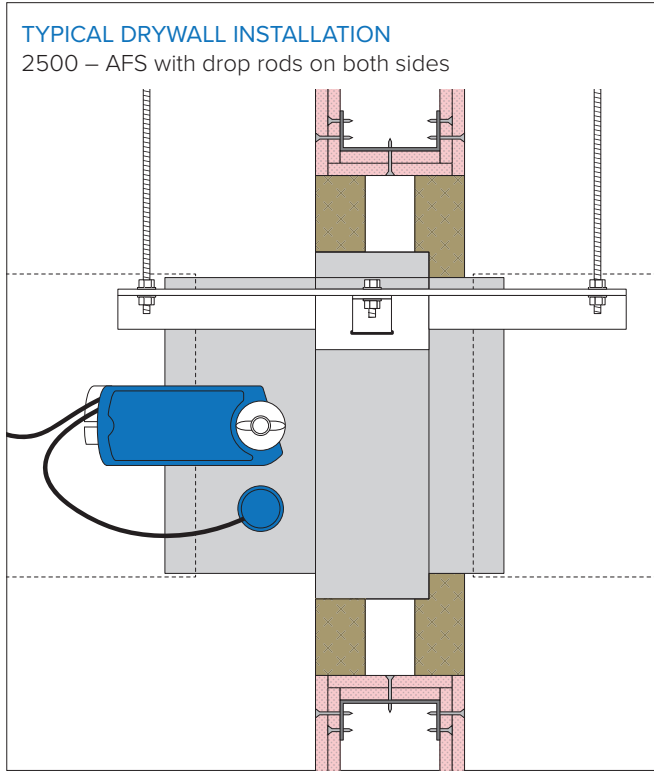
2500 SERIES IN 2 HOUR WALL – RIGID CONSTRUCTION WITH AFS BRACKETS, SUPPORT ON BOTH SIDES (REVERSIBLE)					
Size	Installation method	Supporting construction	Report no.	Date	Performance classification
Up to 1,000 x 1,000mm Single section	AFS adjustable frame	Rigid wall, minimum 122mm thickness, density 650 kgm ³ or greater	EFR-21-001847	29/07/21	E120 (VE I ↔ O) S

2500 SERIES FIRE SMOKE CONTROL DAMPER Declaration of Performance (DoP)

Complying with EU Regulation: 305/2011/EEC Construction Products Regulation



AFS – 1 HOUR DRYWALL



2500 SERIES IN 1 HOUR WALL – FLEXIBLE OR RIGID CONSTRUCTION WITH AFS BRACKETS, SUPPORT ON BOTH SIDES					
Size	Installation method	Supporting construction	Report no.	Date	Performance classification
Up to 1,000 x 1,000mm Single section	AFS adjustable frame	Flexible wall Type A, B & C, minimum 94mm thickness; or Rigid wall, minimum 94mm thick with a density of 650 kgm ³ or greater	EFR-21-001847	29/07/21	E90 (VE I ↔ O) S

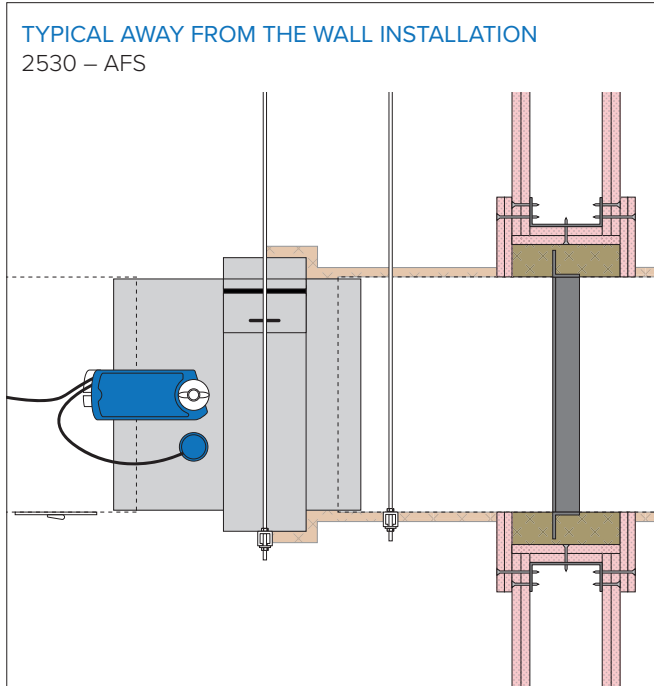
2500 SERIES IN 1 HOUR WALL – FLEXIBLE CONSTRUCTION WITH AFS BRACKETS, SUPPORT ON ONE SIDE (REVERSIBLE)					
Size	Installation method	Supporting construction	Report no.	Date	Performance classification
Up to 1,000 x 1,000mm Single section	AFS adjustable frame	Flexible wall Type A, B & C, minimum 94mm thickness; or Rigid wall, minimum 94mm thick with a density of 650 kgm ³ or greater	EFR-21-001847	29/07/21	E90 (VE I ↔ O) S

2500 SERIES FIRE SMOKE CONTROL DAMPER Declaration of Performance (DoP)

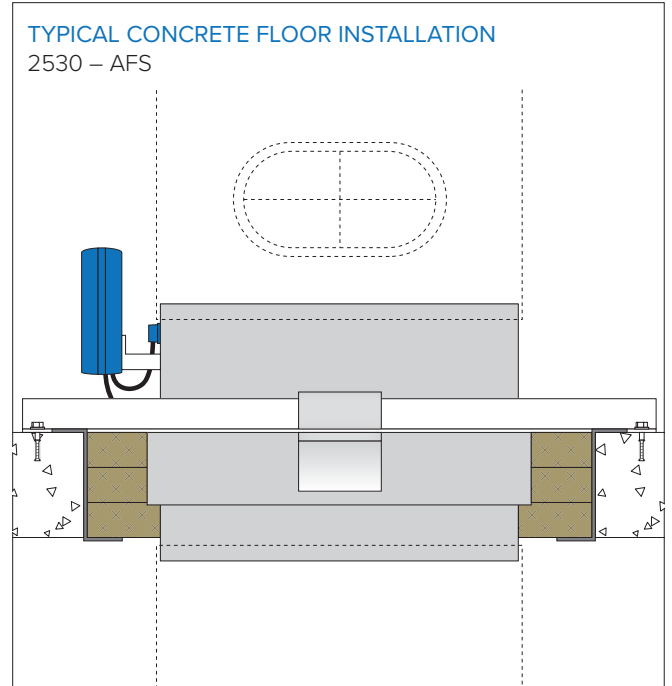
Complying with EU Regulation: 305/2011/EEC Construction Products Regulation



AFS – 2 HOUR AWAY FROM WALL



AFS – 2 HOUR FLOOR



2530 IN 2 HOUR WALL – IN-LINE DUCT / AWAY FROM WALL					
Size	Installation method	Supporting construction	Report no.	Date	Performance classification
Up to 1,000 x 1,000mm Single section	Unistrut and drop rods	Flexible wall, Types B & C, minimum 131mm thick Rigid wall, minimum 131mm thick, density 650 kgm ³ or greater	2021-Efectis-R000927	01/06/21	E30 (VE I → O) S E120 (VE I → O)

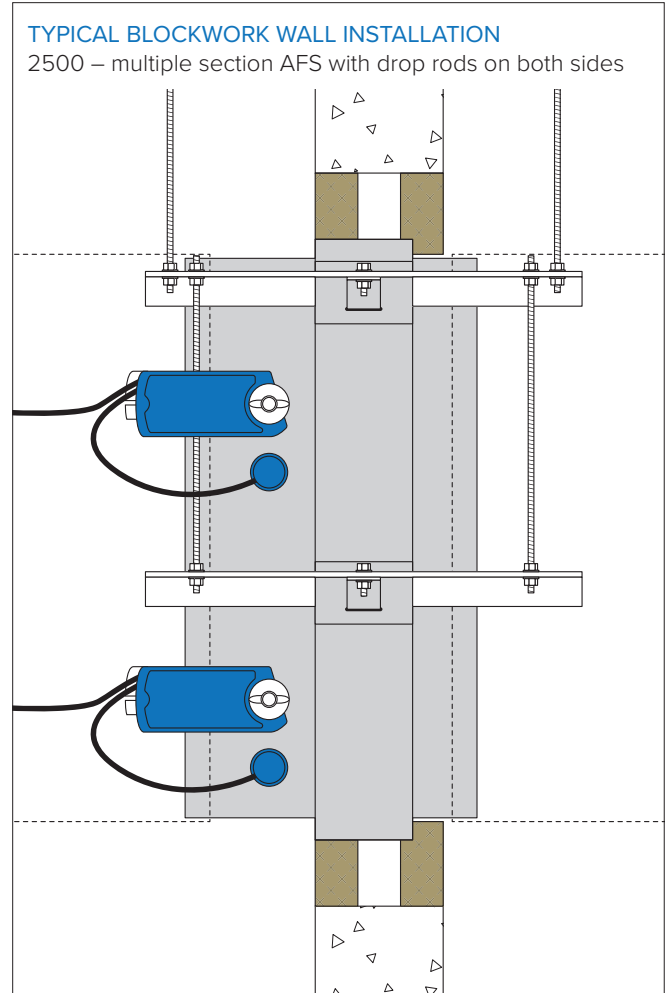
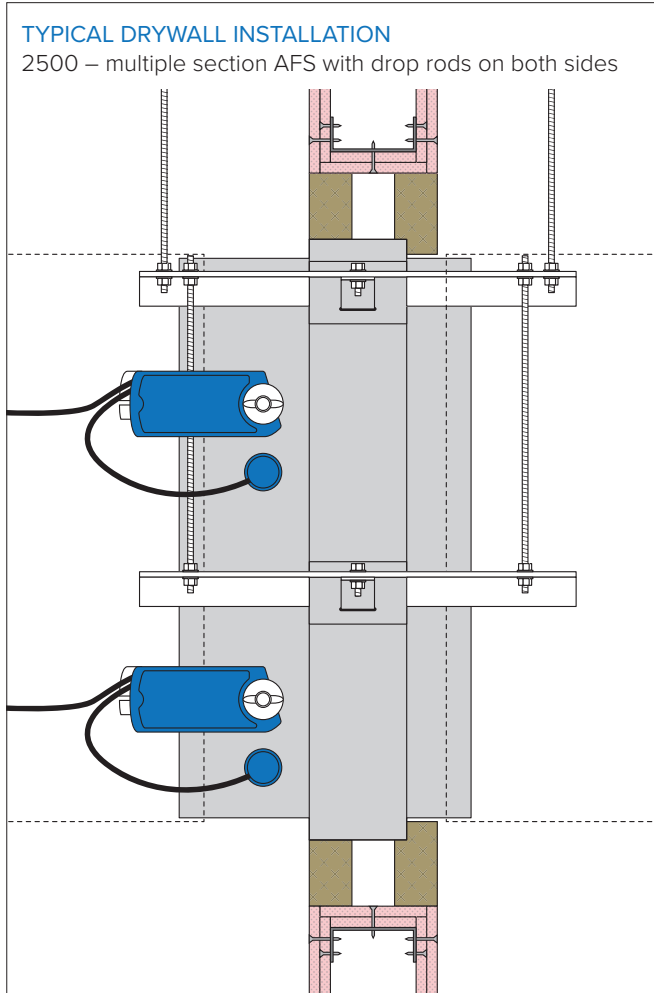
2530 IN 2 HOUR FLOOR – RIGID CONSTRUCTION WITH AFS BRACKETS					
Size	Installation method	Supporting construction	Report no.	Date	Performance classification
Up to 1,000 x 1,000mm Single section	AFS adjustable frame	Concrete floor, minimum 150mm thick, density 650 kgm ³ or greater	EFR-21-001847	29/07/21	E120 (HO I ↔ O) S

2500 SERIES FIRE SMOKE CONTROL DAMPER Declaration of Performance (DoP)

Complying with EU Regulation: 305/2011/EEC Construction Products Regulation



MULTIPLE SECTION AFS – 2 HOUR WALL



2500 MULTISECTION IN 2 HOUR WALL – FLEXIBLE CONSTRUCTION WITH AFS BRACKETS, SUPPORT ON BOTH SIDES					
Size	Installation method	Supporting construction	Report no.	Date	Performance classification
Up to 2,000 x 2,000mm Multiple section	AFS adjustable frame	2 hour wall Type C Minimum 150mm thickness	BRE287810A	06/02/20	E120 (VE I ↔ O) S

2500 MULTISECTION IN 2 HOUR WALL – RIGID CONSTRUCTION WITH AFS BRACKETS, SUPPORT ON BOTH SIDES					
Size	Installation method	Supporting construction	Report no.	Date	Performance classification
Up to 2,000 x 2,000mm Multiple section	AFS adjustable frame	Concrete wall, minimum 150mm thickness, density 650 kgm ³ or greater	BRE287810A	06/02/20	E120 (VE I ↔ O) S