

Declaration of Performance (DoP)

Complying with EU Regulation: 305/2011/EEC Construction Products Regulation



INTENDED USE	Fire safety
HARMONISED STANDARD	BS EN 15650
MANUFACTURER	Advanced Air (UK) Ltd Burrell Way, Thetford, Norfolk IP24 3QU Email projects@advancedair.co.uk Web www.advancedair.co.uk Tel 01842 765 657
SYSTEM OF ASSESSMENT AND VERIFICATION OF CONSTANCY OF PERFORMANCE	System 1
NOTIFIED BODY	The notified body 0832 – BRE carried out the initial inspection of the manufacturing plant and of the production control as well as the continuous surveillance and evaluation of the factory production control according to System 1 of the Construction Products Regulation.
CERTIFICATE OF CONSTANCY OF PERFORMANCE	2831-CPR-P0004 issued on 22 nd October 2019

CONSTRUCTION PRODUCT	FIRE DAMPERS		
Intended Use	To be used in conjunction with partitions to maintain fire compartments in heating, ventilation and air conditioning installations.		
ESSENTIAL CHARACTERISTICS	REQUIREMENT CLAUSES IN BS EN 12101-8	PERFORMANCE LEVEL ACHIEVED	NOTES
Nominal activation conditions/sensitivity:	4.2.1.2		
Sensing element load bearing capacity	4.2.1.2.2	Pass	
Sensing element response temperature	4.2.1.2.3	Pass	
Response delay time	4.2.2.2	Pass	
Operation reliability – Cycling	4.3.1 (a)	Pass	50 cycles
FIRE RESISTANCE			
– Integrity	4.1.1 (a)	E	120 minutes
– Insulation	4.1.1 (b)	EI	No Performance Declared
– Smoke leakage	4.1.1 (c)	ES	No Performance Declared
DURABILITY			
-of response delay	4.2.1.2.2 & 4.2.1.2.3	Pass	
-of operation reliability	4.3.3.2	N/A	No Performance Declared

Signed on behalf of Advanced Air (UK) Ltd:

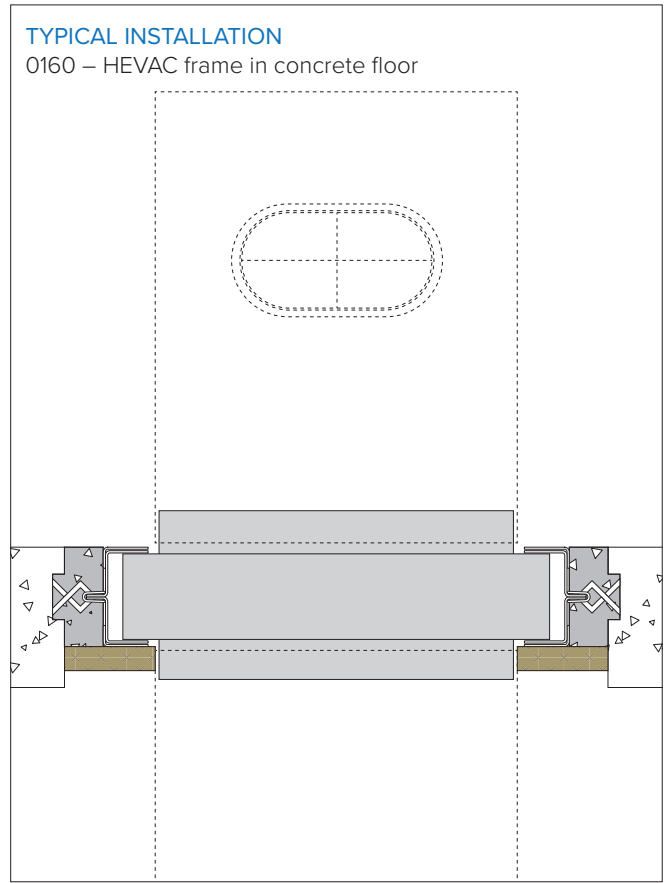
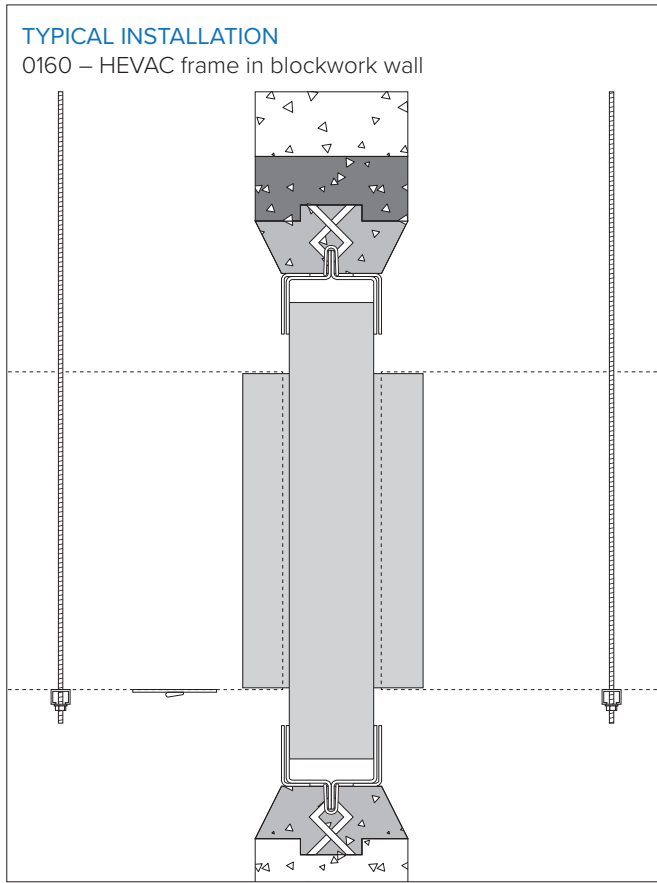
Andrew Sargent
Managing Director
22nd January 2022



0160 SERIES FIRE DAMPER

Declaration of Performance (DoP)

Complying with EU Regulation: 305/2011/EEC Construction Products Regulation

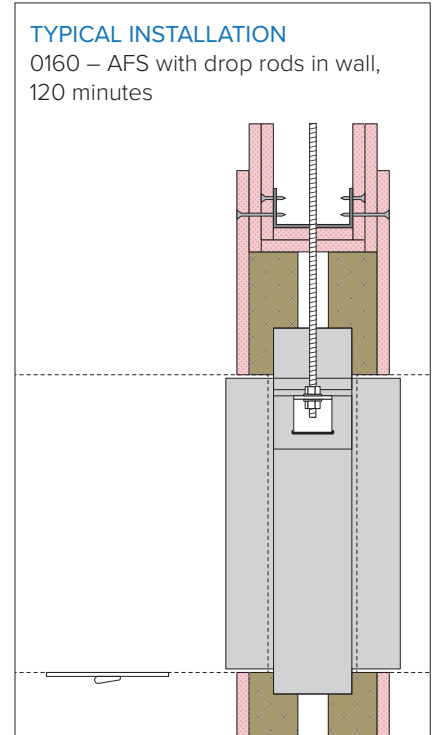
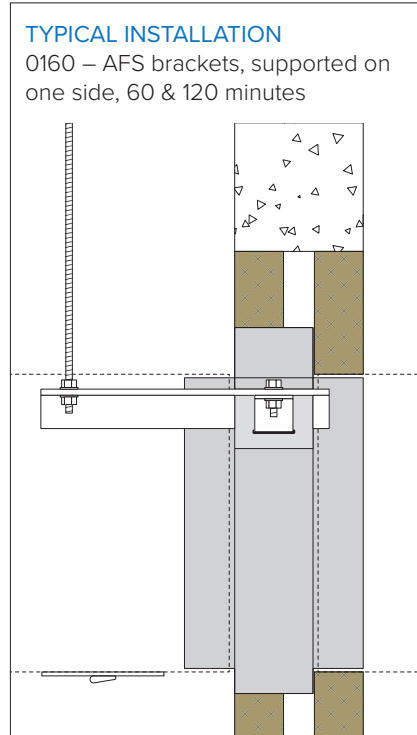
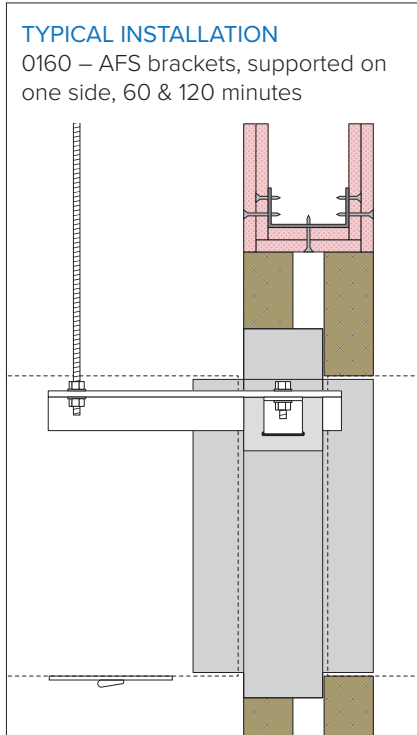


0160 IN 2 HOUR WALL – RIGID CONSTRUCTION WITH HEVAC INSTALLATION FRAME					
Size	Installation method	Supporting construction	Report no.	Date	Performance classification
Up to a maximum nominal 1,000 x 1,000mm Single section	HEVAC	Rigid wall, minimum 150mm thickness, density 650 kgm ³ or greater	EFR-21-001846	29/07/21	E120 (VE I ↔ O)

0160 IN 2 HOUR FLOOR – RIGID CONSTRUCTION WITH HEVAC INSTALLATION FRAME					
Size	Installation method	Supporting construction	Report no.	Date	Performance classification
Up to a maximum nominal 1,000 x 1,000mm Single section	HEVAC	Concrete floor, minimum 150mm thickness, density 650 kgm ³ or greater	EFR-21-001846	29/07/21	E120 (HO I ↔ O)

Declaration of Performance (DoP)

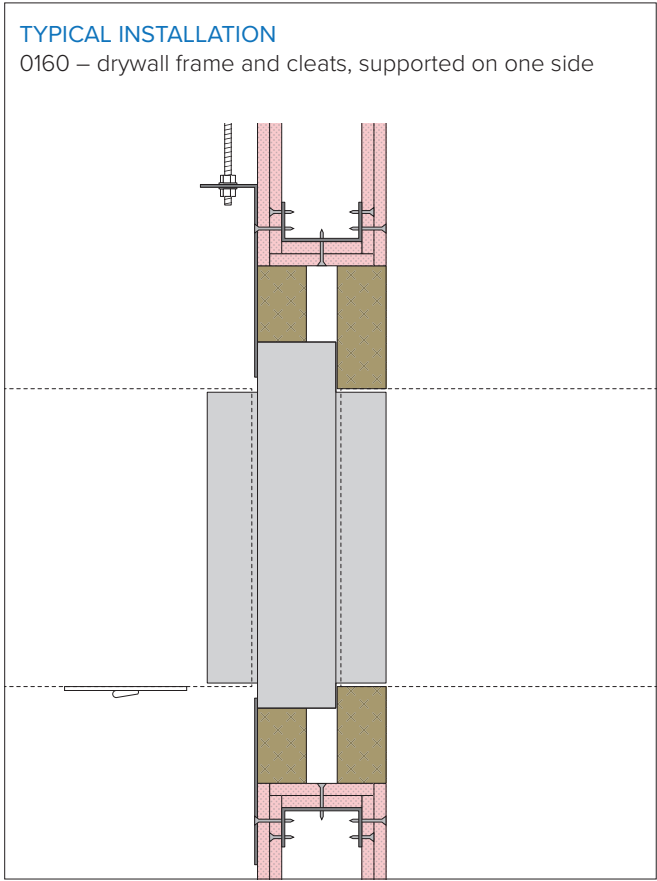
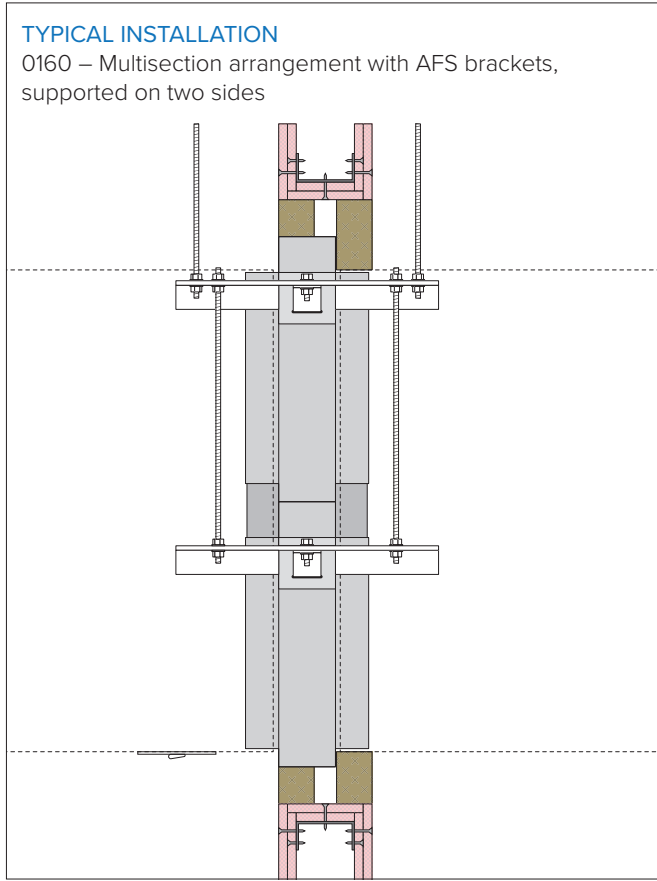
Complying with EU Regulation: 305/2011/EEC Construction Products Regulation



0160 IN 1 HOUR WALL – FLEXIBLE OR RIGID CONSTRUCTION WITH AFS BRACKETS, SUPPORT ON ONE SIDE					
Size	Installation method	Supporting construction	Report no.	Date	Performance classification
Up to a maximum nominal 1,000 x 1,000mm Single section	AFS	Flexible wall Type A, minimum 94mm thickness; or Rigid wall, 94mm thick with a density of 650 kgm ³ or greater	EFR-21-001846	29/07/21	E60 (VE I ↔ O)

0160 IN 2 HOUR WALL – FLEXIBLE OR RIGID CONSTRUCTION WITH AFS BRACKETS, SUPPORT ON ONE SIDE					
Size	Installation method	Supporting construction	Report no.	Date	Performance classification
Up to a maximum nominal 1,000 x 1,000mm Single section	AFS	Flexible wall Type B, minimum 131mm thickness; or Rigid wall, minimum 131mm thick with a density of 650 kgm ³ or greater	EFR-21-001846	29/07/21	E120 (VE I ↔ O)

0160 IN 2 HOUR WALL – FLEXIBLE OR RIGID CONSTRUCTION WITH AFS BRACKETS, SUPPORT IN WALL					
Size	Installation method	Supporting construction	Report no.	Date	Performance classification
Up to a maximum nominal 1,000 x 1,000mm Single section	AFS	Flexible wall Type B, minimum 131mm thickness; or Rigid wall, minimum 131mm thick with a density of 650 kgm ³ or greater	EFR-21-001846	29/07/21	E120 (VE I ↔ O)



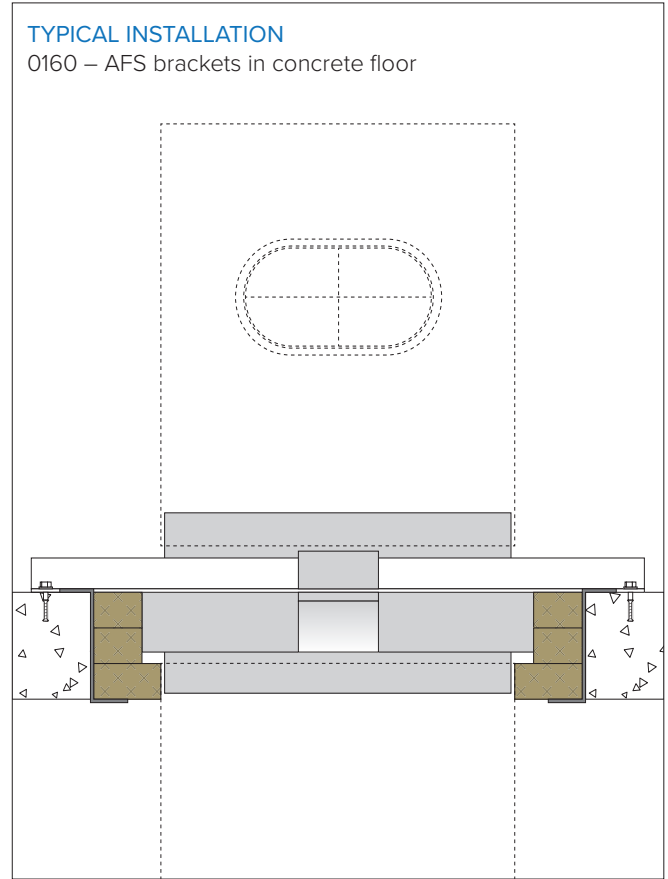
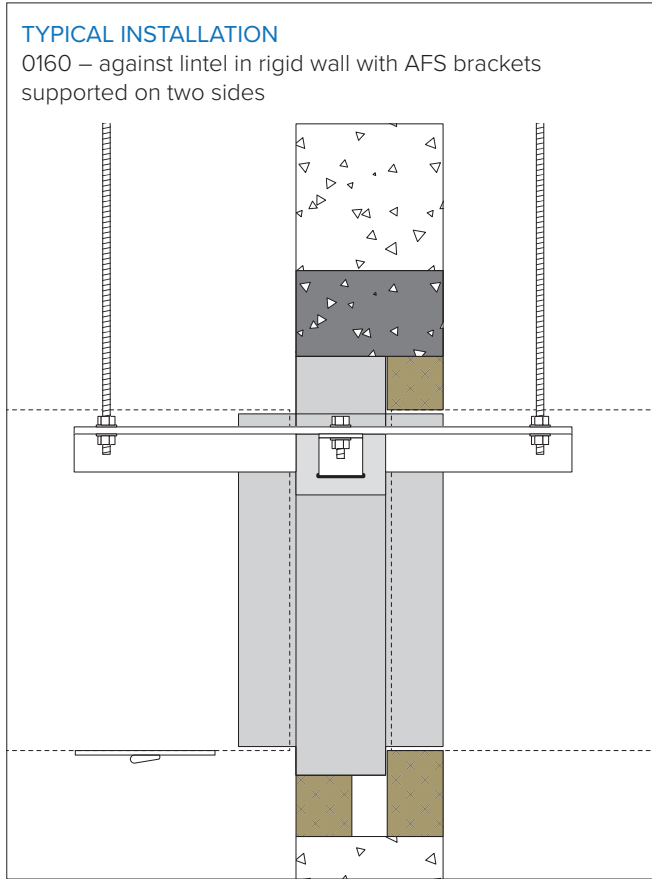
0160 MULTISECTION IN 2 HOUR WALL – FLEXIBLE OR RIGID CONSTRUCTION WITH AFS BRACKETS, SUPPORT ON TWO SIDES					
Size	Installation method	Supporting construction	Report no.	Date	Performance classification
Up to a maximum nominal 2,000 x 2,000mm	AFS	Flexible wall Type C, minimum 136mm thickness; or Rigid wall, minimum 136mm thick with a density of 650 kgm ³ or greater	EFR-21-001846	29-07-21	E120 (VE I ↔ O)

0160 IN 2 HOUR WALL – FLEXIBLE CONSTRUCTION WITH DRYWALL PLATE AND CLEATS					
Size	Installation method	Supporting construction	Report no.	Date	Performance classification
Up to a maximum nominal 1,000 x 1,000mm Single section	Drywall plate and cleats	Flexible wall Type B, minimum 131mm thickness; or Rigid wall, minimum 131mm thick with a density of 650 kgm ³ or greater	EFR-21-001846	29-07-21	E120 (VE I ↔ O)

0160 SERIES FIRE DAMPER

Declaration of Performance (DoP)

Complying with EU Regulation: 305/2011/EEC Construction Products Regulation



0160 IN 2 HOUR WALL – AGAINST LINTEL IN RIGID CONSTRUCTION WITH AFS BRACKETS, SUPPORT ON TWO SIDES					
Size	Installation method	Supporting construction	Report no.	Date	Performance classification
Up to a maximum nominal 1,000 x 1,000mm Single section	AFS Up against a lintel	Rigid wall, minimum 150mm thickness, density 650 kgm ³ or greater	EFR-21-001846	29-07-21	E120 (VE I → O)

0160 IN 2 HOUR FLOOR – RIGID CONSTRUCTION WITH AFS BRACKETS					
Size	Installation method	Supporting construction	Report no.	Date	Performance classification
Up to a maximum nominal 1,000 x 1,000mm Single section	AFS	Concrete floor, minimum 150mm thickness, density 650 kgm ³ or greater	EFR-21-001846	29-07-21	E120 (HO I → O)