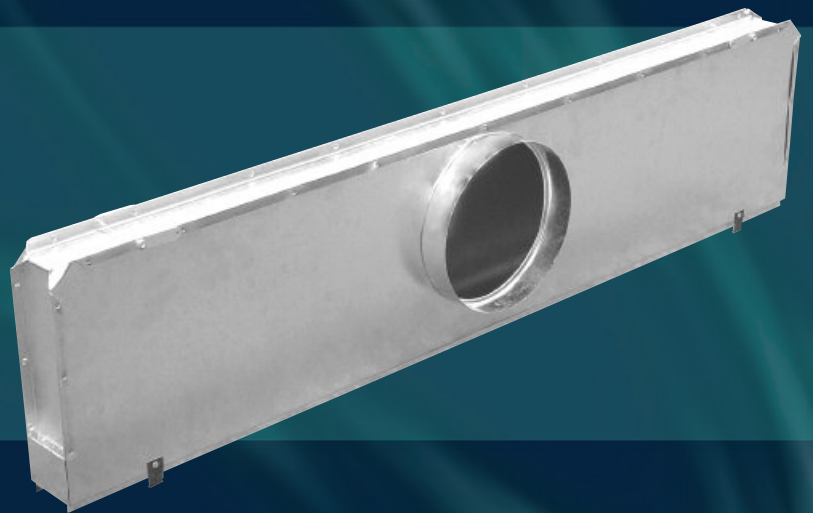


**“Flowline” High  
Capacity Linear Slot  
Diffuser Plenums**

FLP Series



### “Flowline” High Capacity Linear Slot Diffuser Plenums FLP Series

- Supply Air Engineered Plenums For Flowline™ Linear Slot Diffusers



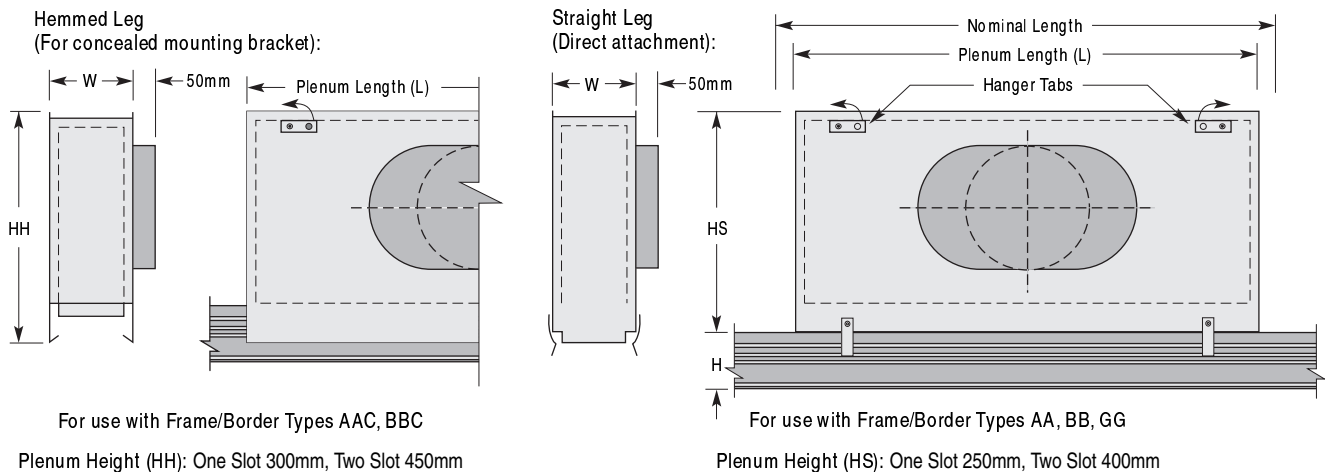
#### Models:

<b>FLP(I)10</b>	<b>25mm Slot</b>
<b>FLP(I)15</b>	<b>38mm Slot</b>
<b>FLP(I)20</b>	<b>51mm Slot</b>
<b>FLP(I)25</b>	<b>64mm Slot</b>
<b>FLP(I)30</b>	<b>76mm Slot</b>

#### (I) Adds Internal Insulation.

The Advanced Air FLP Series engineered plenum boots are designed specifically for the FLH and FLV Series FlowLine™ Linear diffuser. These plenums are factory fabricated and tested to provide the engineer with proven catalogue performance and the installing contractor with a labour saving, cost effective unit that provides for a fast correct fit and easy on-site installation. FLP Series plenums are shipped loose from the factory. Uninsulated and insulated versions are available.

FLP Series plenums are available in two basic styles to suit the installation method. A straight leg version with spring clips is supplied for direct attachment to the FlowLine™ diffuser neck. The diffuser and plenum are installed and attached directly to the ceiling structure prior to installation of the drywall or acoustic suspension ceiling and tiles. Plenums are supplied as standard with hanger tabs. A hemmed leg version is available when it is desired to install the FlowLine™ diffuser after the hard gypsum board/drywall ceiling. The diffuser requires a frame/border style which includes a factory supplied concealed mounting bracket. The diffuser simply slides up through the ceiling opening until the mounting straps locate in the hem and is then secured through the slot face using the fastening screws supplied.



#### Dimensional Data (mm)

Nominal Length	Actual Plenum Length (L) For Frame / Border Type		Available Inlet Sizes		Plenum Model	Width (W) for Frame / Border Type Noted			
	AA, BB, GG	AAC, BBC	1 Slot	2 Slot		AA, BB, GG		AAC, BBC	
						1 Slot	2 Slot	1 Slot	2 Slot
600	517	600	150, 200 Round 250, 300, 350 Flat Oval*	150, 200, 250, 300, 350 Round	FLP(I)10	70	133	89	152
750	667	750			FLP(I)15	95	184	114	203
900	818	900			FLP(I)20	121	235	140	254
1200	1118	1200			FLP(I)25	146	286	165	305
1500	1417	1500			FLP(I)30	171	337	191	356

\* Equivalent Oval: 250mm = 275mm x 200mm; 300mm = 375mm x 200mm; 355mm = 435mm x 200mm.

## How To Specify or To Order

(Show complete Model Number and Size, unless "Default" is desired)

### FlowLine™ Linear Diffuser Plenums • FLP Series

FLP10 - 1200 x 1 Slot - 200 - AA - —

**Models**

Standard Plenum	FLP
Insulated Plenum	FLPI

**Slot Width**

25mm	10
38mm	15
51mm	20
64mm	25
76mm	30

**Nominal Length**

mm	
500, 600, 750, 900, 1200, 1500	

**No. Of Slots**

One	1
Two	2

**Accessories**

None (default)	—
Inlet Damper	ID

**Flowline™ Diffuser Frame/Border Type**

Exposed Flange Frame	AA
Exposed Flange Frame with concealed mtg. brkts.	AAC
Concealed Tapered Frame	BB
Concealed Tapered Frame with concealed mtg. brkts.	BBC
Flangeless Frame	GG
Flange/Flangeless Frame	AG

**Plenum Inlet Size**

**One Slot**

Ø150 Circular	150
Ø200 Circular	200
250 Flat Oval	250
300 Flat Oval	300
350 Flat Oval	350

**Two Slot**

Ø150 Circular	150
Ø200 Circular	200
Ø250 Circular	250
Ø300 Circular	300
Ø350 Circular	350

**Notes:**

1. Plenums are shipped loose as standard for on-site installation.
2. Plenums for Frame/Border Types AA, BB, GG and AG are for direct attachment to diffuser neck.
3. Plenums for Frame Types AAC and BBC are hemmed for on-site attachment by use of concealed mounting brackets.