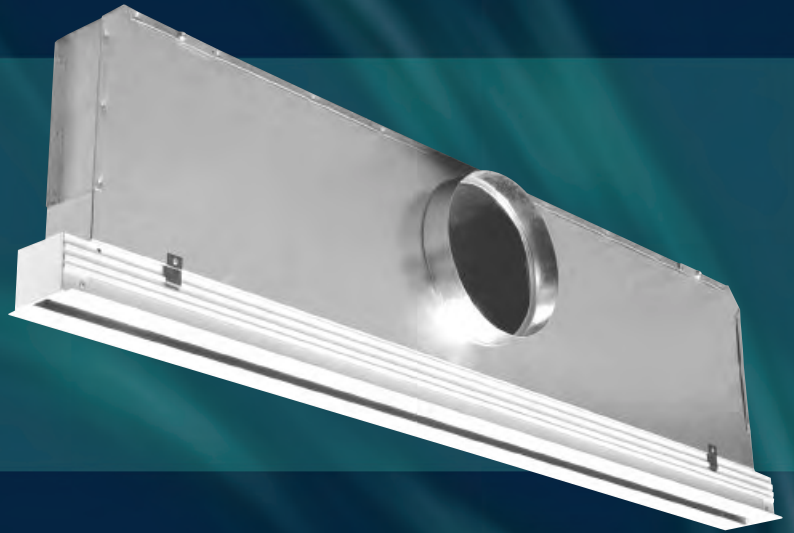


Lay-In “Flowline” High Capacity Linear Slot Diffusers with Plenums



Lay-In Units For T-Bar Suspension Ceiling Systems

Complete With Engineered Plenum

Choice of Horizontal or Vertical Pattern Controllers

General Product Overview “Flowline” Linear Slot Diffusers

“Flowline” Linear Slot Diffuser

FlowLine™ is a custom architectural linear diffuser system designed to integrate and blend supply and return air openings harmoniously into interior commercial building designs. The flexibility of FlowLine™ provides design and application possibilities that are limited only by your imagination. FlowLine™ can blend or contrast as you integrate it into either ceiling or sidewall applications. FlowLine™ linear may be used to either inconspicuously hide the air distribution system or conversely it may be used as a contrasting, architectural design element, using straight lines and/or curves to enhance the interior of a building.

Whether you require straight lines, mitred angles or smooth curves, Advanced Air can custom fabricate FlowLine™ to meet your most demanding architectural and engineering performance requirements. FlowLine™ can be custom curved in any plane to suit architectural requirements. Flat face radiused for ceilings and concave or convex curving for sidewall applications are available to special order. FlowLine™ is fabricated using sturdy heavy wall aluminium extrusions. A variety of frame/border styles and associated mounting hardware allows FlowLine™ to be installed either during or after ceiling installation. In acoustical suspension ceiling systems using continuous runs, the FlowLine™ system is installed at the same time as the ceiling grid and becomes an integral part of the ceiling assembly.

FlowLine™ linear is available in five slot widths providing a much higher air volume capability than conventional multiple slot linear designs, which are more visible. A two slot option is also available for even higher capacities. Engineered for outstanding performance, FlowLine™ can provide higher airflows at lower noise levels than traditional linear slot designs, making it an ideal solution for high profile architectural projects.

FlowLine™ is available in two air pattern controller designs. The FLH Series features adjustable horizontal high throw pattern controllers for ceiling applications. The FLV Series features adjustable vertical jet pattern controllers for high ceiling and sidewall applications.

Flowline Key Features:

- High capacity single slot linear diffuser available in five slot widths, offering an attractive alternative to traditional multi-slot designs. Available slot widths are 25mm, 38mm, 51mm, 64mm and 76mm. A two slot option is also available.
- Comprehensive selection of frame/border styles and mounting hardware to suit any installation.
- Choice of FLH Series Horizontal or FLV Series Vertical Pattern Controllers. May be combined within a single system.

- Custom curving availability to meet specific design requirements, provides architectural appeal.
- Heavy wall extruded aluminium construction permits support and full integration with ceiling system.
- Mitred end borders are available which maximise aesthetic appeal.
- Available in single sections up to 1800mm in length. Longer lengths are supplied in multiple sections with alignment strips for on-site assembly.
- High performance design is ideally suited to VAV systems, both heating and cooling.
- Custom colours are available.

FT Series:

The FlowLine™ Series is available in modular lengths for lay-in T-Bar applications, utilising either the horizontal high throw or vertical jet throw pattern controllers. Units are supplied with factory installed engineered plenums in uninsulated or insulated versions.



Lay-in "Flowline" High Capacity Linear Slot Diffusers with Plenums

FT Series

- Lay-In Units For T-Bar Suspension Ceiling Systems
- Complete With Engineered Plenum
- Choice Of Horizontal Or Vertical Pattern Controllers

Horizontal High Throw Models:

Standard 24mm or 15mm Flat T-Bar

FTH(I)10	25mm Slot
FTH(I)15	38mm Slot
FTH(I)20	51mm Slot

Bolt-Slot (Threadline Type) T-Bar

FTBH(I)10	25mm Slot
FTBH(I)15	38mm Slot
FTBH(I)20	51mm Slot

Vertical Jet Throw Models:

Standard 24mm or 15mm Flat T-Bar

FTV(I)10	25mm Slot
FTV(I)15	38mm Slot
FTV(I)20	51mm Slot

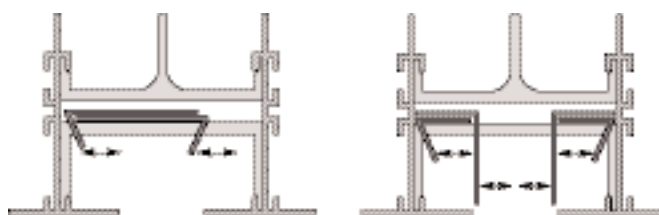
Bolt-Slot (Threadline Type) T-Bar

FTBV(I)10	25mm Slot
FTBV(I)15	38mm Slot
FTBV(I)20	51mm Slot

(I) Adds internal insulation.



Pattern Controller Options



FTH Series
Horizontal High Throw Design

FTV Series
Vertical Jet Throw Design

The FT Series is a modular version of Advanced Air's FlowLine™ Linear Diffuser System. The FT Series is available in various finite lengths for installation in lay-in type suspended ceiling grid systems. They are available for both Metric and Imperial ceiling grids. These diffusers are manufactured to fit standard ceiling grid modules and provide quick and easy installation. The units are supplied with factory mounted engineered plenums and are normally individually suspended by either integral hanger brackets at each end of the diffuser and/or hanger straps on the plenum. Relocation is easy for office layout and tenant improvement changes.

The high induction characteristics of the FTH Series Horizontal High Throw pattern controller option make it an excellent choice for variable air volume systems. The FTV Series Vertical Jet Throw option is ideally suited to perimeter glass curtain wall applications.

These units are also suitable for return air applications. Return models are available and supplied without plenum (Models FTHR and FTBHR). Supplied with horizontal type dual pattern controllers for system balancing.

Standard Features:

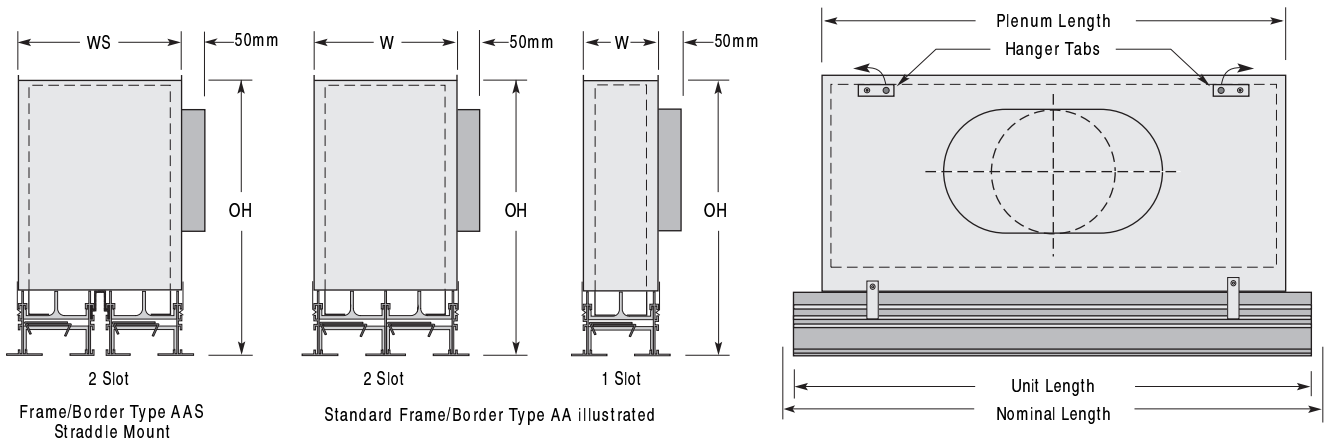
- Available in 600mm, 1200mm and 1500mm nominal lengths for Suspension Ceiling Systems.
- Standard slot widths are 25mm, 38mm and 51mm.
- Heavy wall extruded aluminium construction with galvanised steel pattern controllers.
- Horizontal or vertical throw pattern controller options.
- Supply models are complete with an integral engineered plenum. Optional internal insulation is available.
- Various Frame/Border styles are available to integrate with most ceiling systems.
- AW Appliance White polyester powder finish RAL 9010 semi-gloss with black pattern controllers is standard.

Performance:

- Type FTH - See pages 8 - 13
- Type FTV - Contact Advanced Air Sales

FT Series • 15mm or 24mm Flat T-Bar

(Type H Horizontal pattern controllers illustrated. Also available with Type V Vertical).



Dimensional Data (mm)

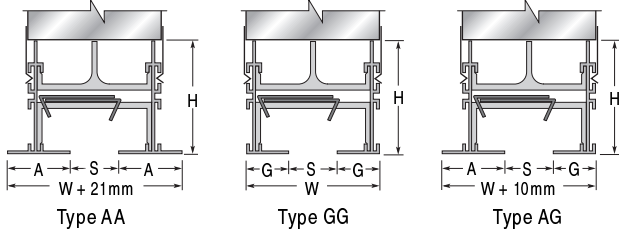
Nominal Length	Unit Length	Plenum Length	Available Inlet Sizes	
			1 Slot	2 Slot
600	594	517	150, 200 Round	15, 200,
1200	1194	1117	250, 300,	250, 300,
1500	1494	1417	350 Flat Oval*	350 Round

FT Series Model	1 Slot		2 Slot		
	W	OH	W	WS	OH
FT(HorV)(I)10	70	314	133	141	467
FT(HorV)(I)15	95	321	184	192	473
FT(HorV)(I)20	121	327	235	243	479

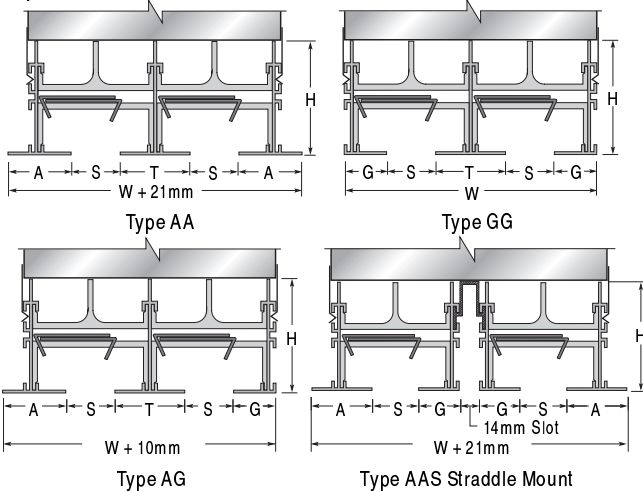
* Equivalent Oval: 250 = 275mm x 200mm; 300 = 375mm x 200mm; 350 = 435mm x 200mm.

Available FT Series Border Types

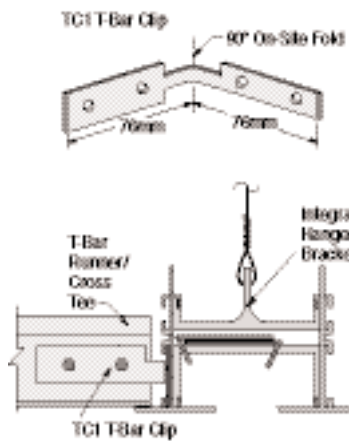
One Slot Units:



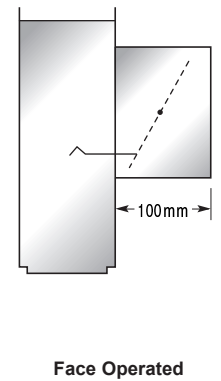
Optional Two Slot Units:



Optional Mounting Hardware



Optional ID Inlet Damper

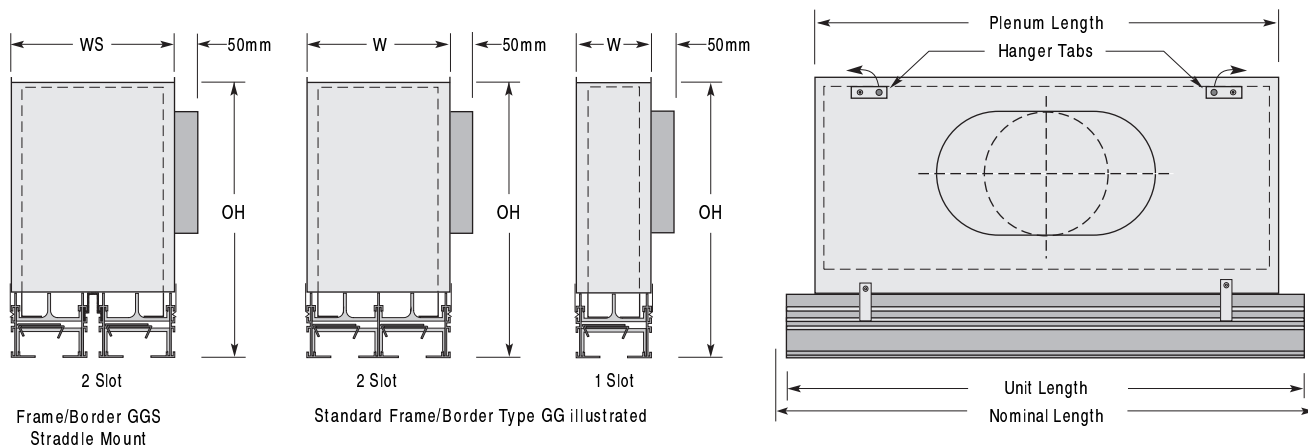


Dimensional Data (mm)

FT Series Model	S Slot Width	A Border Width	G Border Width	H Height	T 2 Slot
FT(HorV)(I)10	25	33	22	60	37
FT(HorV)(I)15	38	39	29	67	49
FT(HorV)(I)20	51	45	35	73	62

FTB Series • Bolt-Slot (Threadline/Fineline® Type) T-Bar

(Type H Horizontal pattern controllers illustrated. Also available with Type V Vertical).



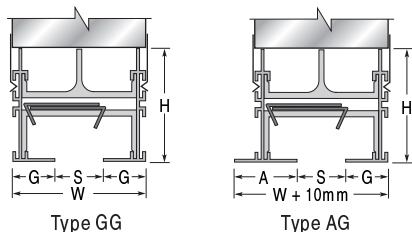
Dimensional Data (mm)

Nominal Length	Unit Length	Plenum Length	Available Inlet Sizes		FTB Series Model	1 Slot		2 Slot		
			1 Slot	2 Slot		W	OH	W	WS	OH
600	584	508	150, 200 Round	150, 200	FTB(HorV)(I)10	70	314	133	148	467
1200	1184	1108	250, 300,	250, 300,	FTB(HorV)(I)15	95	321	184	198	473
			350 Flat Oval*	350 Round	FTB(HorV)(I)20	121	327	235	249	479

* Equivalent Oval: 250 = 275mm x 200mm; 300mm = 375mm x 200mm; 350 = 435mm x 200mm.

Available FTB Series Border Types

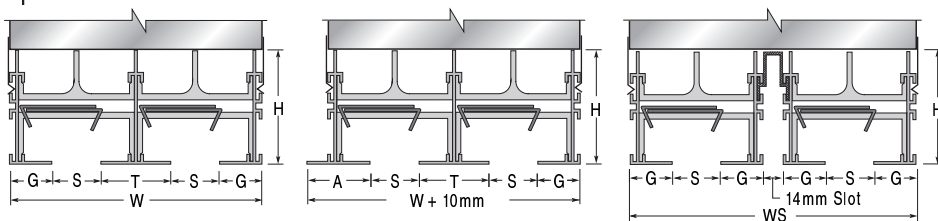
One Slot Units:



Type GG

Type AG

Optional Two Slot Units:



Type GG

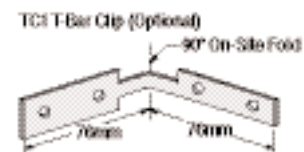
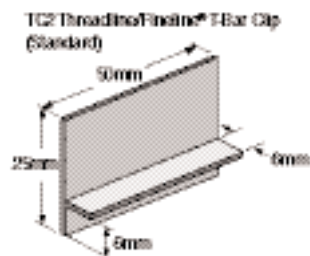
Type AG

Type GGS Straddle Mount

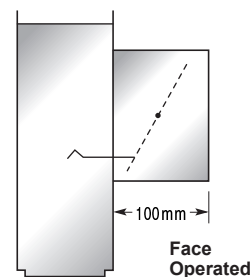
Dimensional Data (mm)

FTB Series Model	S Slot Width	A Border Width	G Border Width	H Height	T 2 Slot
FTB(HorV)(I)10	25	33	22	60	37
FTB(HorV)(I)15	38	39	29	67	49
FTB(HorV)(I)20	51	45	35	73	62

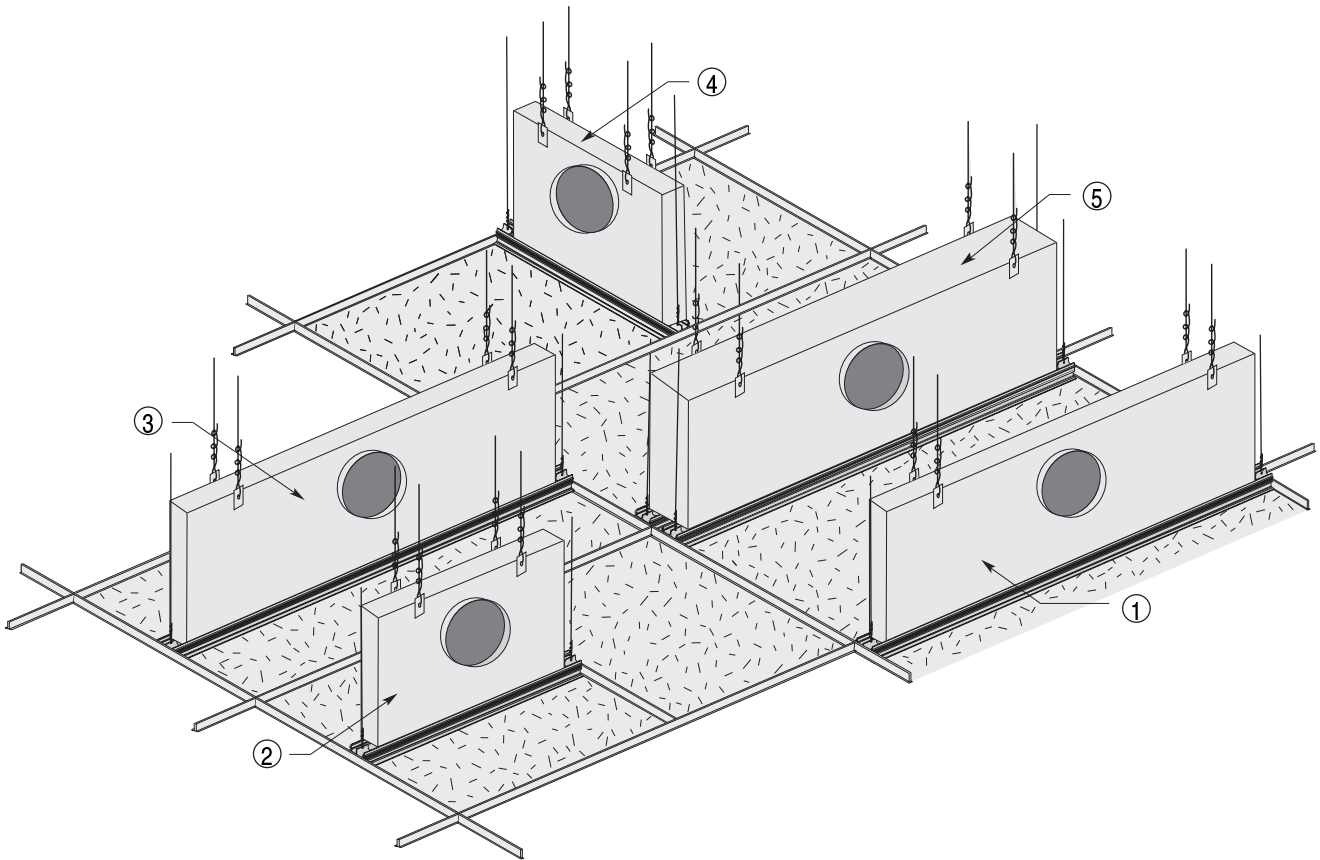
Mounting Hardware



Optional ID Inlet Damper



Typical FT Series Application • T-Bar Ceiling Suspension Systems



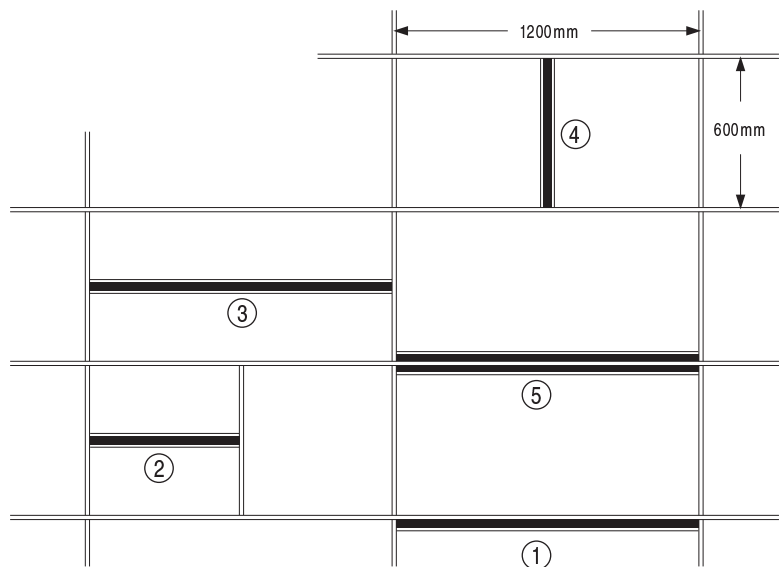
DESCRIPTION:

1. Nominal 1200mm unit installed alongside a main runner.
2. 600mm unit installed parallel to and mid-way between main runners.
3. Nominal 1200mm unit installed mid-way between main runners.
4. 600mm unit installed perpendicular to main runners.
5. Nominal 1200mm two slot unit straddling a main runner.

Notes:

Frame/Border style should be carefully selected to ensure compatibility with specific ceiling grid suspension system and desired visual appearance. Type A Flange Border can lie on flat T-Bar or support cut ceiling tile. Type G Flangeless Border requires a supplementary cross tee for support in 24mm or 15mm flat T-Bar applications. In Bolt Slot (Threadline/Fineline® Type) applications, utilising Type G Flangeless Border, optional TC2 Threadline/Fineline® T-Bar Clips are recommended to support and level the unit. Bolt slot ceiling system grids are usually 600mm x 600mm modules. Cross notches on 1200mm units are not available. Modification of ceiling grid and site cutting of ceiling tiles will be required.

Reflected Ceiling Plan 600mm x 1200mm T-Bar Grid



How To Specify or To Order

(Show complete Model Number and Size, unless "Default" is desired)

Lay-in FlowLine™ Linear Diffusers • FT Series

FTH 10 - 1200 x 1 Slot - 200 - AA - AW - - - - -

Models Supply:

Horizontal High Throw:	
Flat T-Bar	FTH(I)
Blot-Slot T-Bar	FTBH(I)
Vertical Jet Throw:	
Flat T-Bar	FTV(I)
Blot-Slot T-Bar	FTBV(I)

(I) Adds Internal Insulation

Return:

Flat T-Bar	FTHR
Blot-Slot T-Bar	FTBHR

Slot Width

25mm	10
38mm	15
51mm	20

Nominal Length*

mm
600, 1200, 1500

No. Of Slots

One	1
Two	2

Accessory 3

None (default)	—
Inlet Damper	ID

Accessory 2 (Right hand mounting hardware)

None (default)	—
T-Bar Clip	TC1
Threadline/Finline® T-Bar Clip	TC2

Accessory 1 (Left hand mounting hardware)

None (default)	—
T-Bar Clip	TC1
Threadline/Finline® T-Bar Clip	TC2

Finish

Appliance White (default)	AW
Off-White	WH
Special Custom Colour	SP

Frame/Border Type *

One or Two Slot:	
Flange Frame	AA
Flangeless Frame	GG
Flange/Flangeless Frame	AG
Two Slot only:	
Flange Frame (Straddle mt.)	AAS
Flangeless Frame (Straddle mt.)	GS

Plenum Inlet Size

One Slot	
Ø150 Circular	150
Ø200 Circular	200
250 Flat Oval	250
300 Flat Oval	300
350 Flat Oval	350
Two Slot	
Ø150 Circular	150
Ø200 Circular	200
Ø250 Circular	250
Ø300 Circular	300
Ø350 Circular	350

Notes:

1. All models include an integral hanger bracket at each end of unit as standard.
2. * Bolt Slot Models (FTB) are available in 600mm and 1200mm modules only and only with Frame/Border Types GG, AG and GGS. TC2 Threadline/Finline® T-Bar Clips are recommended for support and leveling.
3. FT Series models are supplied with Type CC Flat End Caps.
4. Return models are supplied with horizontal type dual pattern controllers for dampering (system balancing) and without plenum. If plenums are required on return air units, use supply model.