

# 0500FME

# Circular Motorised Fire Damper For Rigid Floors

---

Advanced Air (UK) Ltd  
Burrell Way  
Thetford  
Norfolk  
IP24 3QU

# 0500FME

## Circular Motorised Fire Damper For Rigid Floors

To meet the demand for fire dampers with easy access for testing and maintenance, we are pleased to offer the 0500FME damper.

This damper has been designed to maintain its integrity in a fire. The sizes available are from minimum 100mm diameter to maximum 315mm diameter.

The damper has been tested to meet the current CPR requirements for CE labelling being tested to BS EN 1366-2 and classified to BS EN 13501-3 as required in the product standard BS EN 15650.

### Features and Benefits

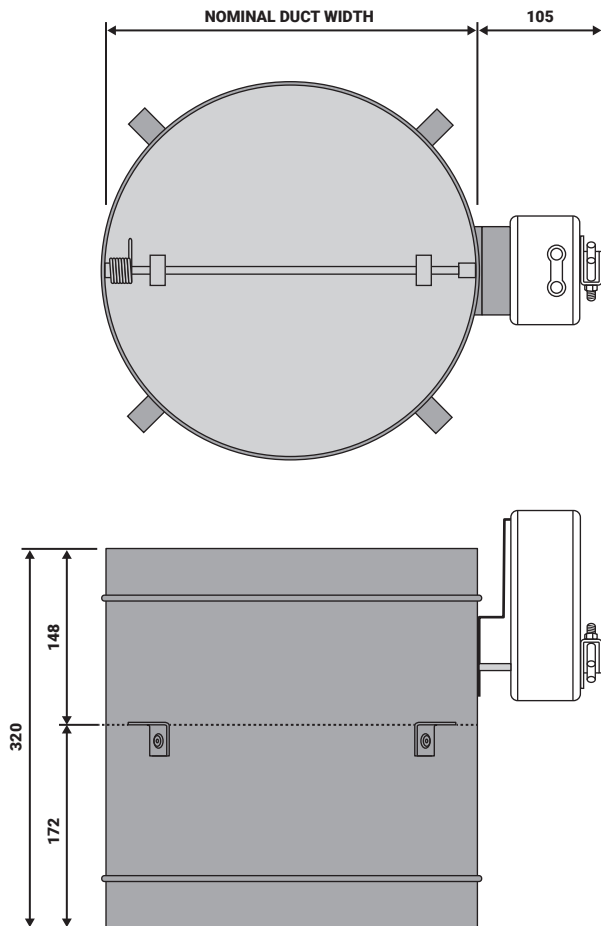
- Aerodynamically air control tested to BS EN 1751.
- Thermal fuse replaceable from outside the casing.
- Tested and assessed to BS EN 1366-2.
- External blade position indicator.



## TECHNICAL SPECIFICATION

# 0500FME Circular Motorised Fire Damper

### 0500FME Dimensions



### Construction

#### CASING

The casing is manufactured from 0.9mm galvanised mild steel complete with swages at each end.

#### BLADE

The blades are double-skinned constructed from 1mm galvanised mild steel with a thermal performance material between the skins.

#### THERMAL FUSE

Externally replaceable thermal fuse is rated at 72°C has been designed with no creep of the solder joint. The thermal fuse is screwed into position through a 12.5mm diameter brass holder. When tightly screwed retains the blade in position set using the handle.

#### Duct Sizes

Available in 100mm, 125mm, 150mm, 160mm, 200mm, 250mm, 300mm and 315mm diameters.

#### Testing And Compliance

Designed to BS EN 15650, classified to BS EN 13501-3.

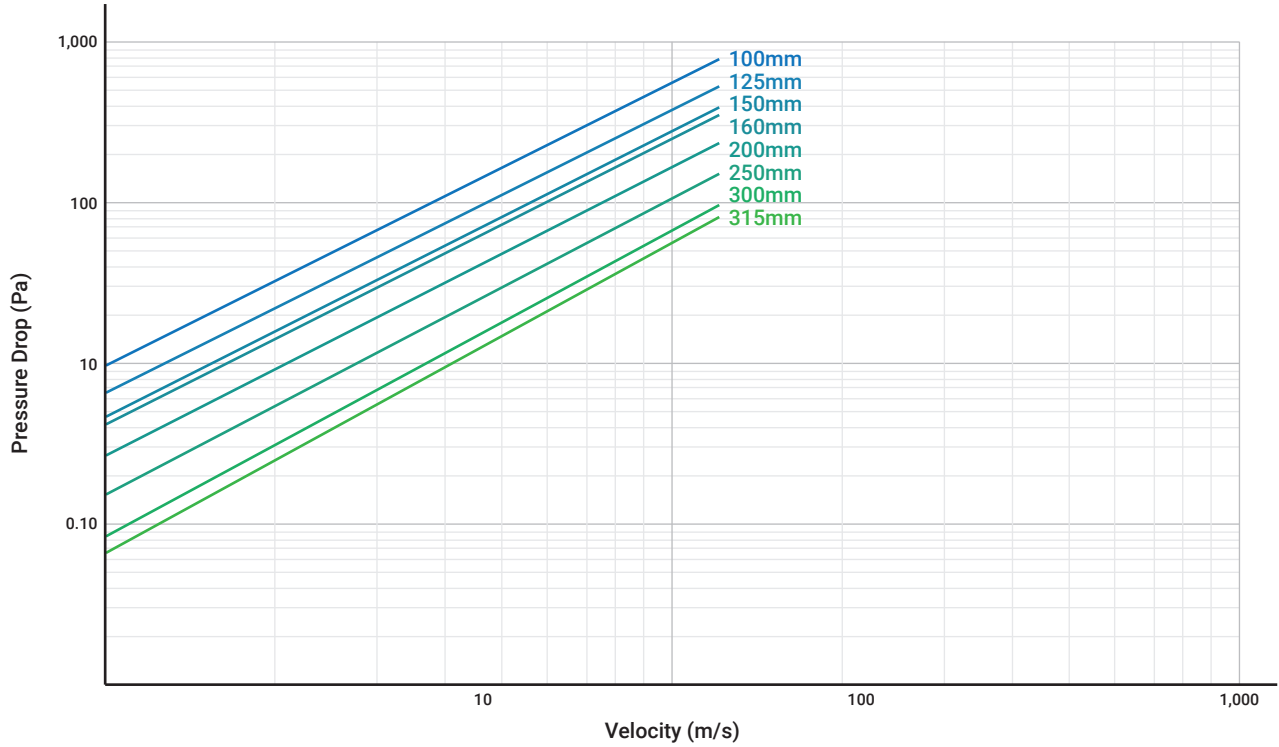
Fusible link operation tested to ISO 10294-4.

Damper installations fire tested to BS EN 1366-2.

Casing leakage to DW144 class C.

# 0500FME Circular Motorised Fire Damper

0500FME – Pressure Drop



0500FME – Free Area

	Free Area (m <sup>2</sup> )	Free Area (%)
<b>100</b>	0.00583	74
<b>125</b>	0.00985	80
<b>150</b>	0.01484	84
<b>160</b>	0.01712	85
<b>200</b>	0.02778	88
<b>250</b>	0.04465	91
<b>300</b>	0.06544	93
<b>315</b>	0.07244	93

0500FME – Weight

	Weight (kg)
<b>100</b>	3.1
<b>125</b>	3.4
<b>150</b>	3.8
<b>160</b>	4.0
<b>200</b>	4.6
<b>250</b>	5.6
<b>300</b>	6.6
<b>315</b>	7.9

## TECHNICAL SPECIFICATION

# 0500FME Circular Motorised Fire Damper

### 0500FME – Actuator Specifications

<b>Torque</b>	4 Nm	
<b>Running time (open)</b>	90 s	
<b>Running time (closed)</b>	15 s	
<b>Supply voltage</b>	AA230TS4 – 230 V AC AA24TS4 – 24 V AC/DC	
<b>Frequency</b>	50-60 Hz	
<b>Power consumption</b>	AC/DC 24 V	AC 230 V
– running	3.5 W	4.5 W
– at end position	2.0 W	3.5 W
<b>Control signal</b>	ON / OFF	
<b>Angle of rotation / working range</b>	90° (95° mechanical)	
<b>Auxiliary switches</b>	2.0A, AC 24...230, DC 12...30	
<b>Cable</b>	0.9 m halogen-free	
– Motor	2-wire 1-2	
– Switches	6-wire 51-52-53-54-55-56	

<b>Lifetime</b>	10,000 rotations
<b>Noise level</b>	45 dB (A)
<b>Protection class</b>	II
<b>Degree of protection</b>	IP 54
<b>Mode of action</b>	Type 1
<b>Ambient conditions</b>	
– Operating temp.	-32 to +50°C / IEC 721-3-3
– Storage temp.	-32 to +60°C / IEC 721-3-2
– Humidity	5 to 95% r.F no condensed
<b>Weight</b>	AA230TS4 – 1.4kg AA24TS4 – 1.3kg
<b>Service</b>	Maintenance-free
<b>Standards</b>	
– Mechanics	EN 60 529 / EN 60 730-2-14
– Electronics	EN 60 730-2-14
– EMC emissions	EN 50 081-1:92 / IEC 61000-6-3:96
– EMC immunity	EN 50 082-2:95 / IEC 61000-6-2:99