

Plenums

For Grilles and Diffusers

- Rectangular, Circular or Flat Oval Duct Connections
- Flanges & Fixing Angles Available
- Thermal/Acoustic Lining Option
- Variety of Finishes Available

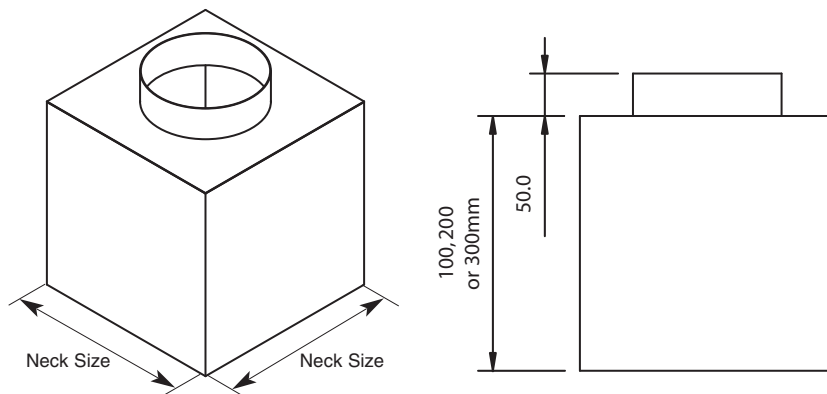
The 57 Series plenum boxes are designed to give even airflow across the Advanced Air range of grilles and diffusers.

Manufactured from 0.6 to 0.8mm galvanised mild steel, the plenum boxes come with a range of spigots suitable for rectangular, circular or flat oval duct connections in either side or top entry applications. Plenums are supplied flangeless as standard. Flanges and fixing angles for drop rod/hanging support are optional extras. Concealed fixed plenums are also available on certain products, please contact Advanced Air sales for further details.

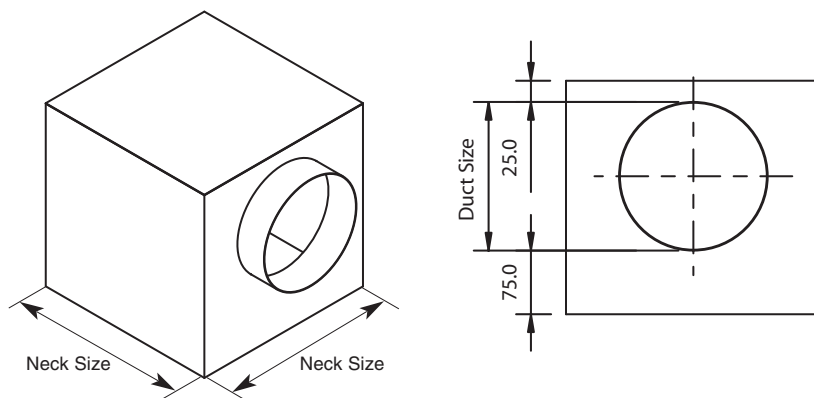
Plenums can also be supplied with optional balancing devices and thermal/acoustic lining where required. Plenum internals are natural finish as standard but optional matt black internal finish is available.

Please contact Advanced Air Sales for further details, or for bespoke solutions.

Top Entry



Side Entry



Note: As standard side entry plenum height is determined by specified spigot size, alternatively, overall height can be specified. Please contact Advanced Air sales for more details.

Flanges

15mm wide flanges are available.

